

MUSHROOM STYLE AIR VENTS MSAV

DESCRIPTION

The ADCAPure MSAV series of mushroom style air vents are used in atmospheric tanks to prevent contamination from foreign matter via the vent connection. The device is fully manufactured from 316L stainless steel with a rounded mushroom cover, perforated barrier and clamped connections.

MAIN FEATURES

Complete 316L stainless steel construction.

STANDARD SURFACE FINISH

Internal wetted parts: $\leq 0,76 \mu\text{m Ra} - \text{SF3}$.

External: Satin bead blast finish – $1,6 \mu\text{m Ra}$.

Other surface conditions see TIS.GIA – General information ADCAPure.

USE: Contamination prevention in atmospheric tanks and others.

AVAILABLE MODELS: MSAV.

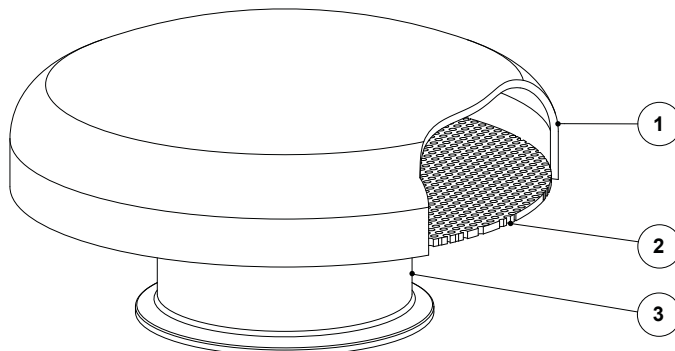
SIZES: 1 1/2" to 6"; DN 40 to DN 150.

CONNECTIONS: ASME BPE and DIN 32676-A clamp ferrules. Others on request.

PACKAGING: Assembling and packaging in a clean room certified according to ISO 14644-1. The product is end capped and sealed with recyclable thermo-shrinkable plastic film, to avoid contamination.

INSTALLATION: Vertical installation.

MATERIAL: AISI 316L / 1.4404.



MATERIALS		
POS. N°	DESIGNATION	MATERIAL
1	Cover	AISI 316L / 1.4404
2	Perforated plate	AISI 316L / 1.4404
3	Body	AISI 316L / 1.4404

CE MARKING – GROUP 2 (PED – European Directive)	
PN 10	Category
1 1/2" to 6" – DN 40 to 150	SEP

LIMITING CONDITIONS *	
Maximum operating pressure	0,5 bar
Maximum operating temperature	180 °C

* Other limits on request. Maximum operating conditions may be limited by the equipment end connections due to normative restrictions.