

BALANCED PRESSURE THERMOSTATIC STEAM TRAPS TSS6H

DESCRIPTION

The ADCAPure TSS6H all stainless steel thermostatic steam traps and air vents are specifically designed for use in hygienic applications such as reactors, CIP/SIP, autoclaves, sterilizers and distribution lines in clean and pure steam systems.

Their small size makes them ideal for use with a wide variety of equipment.

The thermostatic element is very sensitive and designed to open with a minimum sub-cooling of approximately 2 °C related to the saturated steam temperature.

MAIN FEATURES

Modulating discharge.
Excellent air discharge.
Simple and compact design.

STANDARD SURFACE FINISH

Internal wetted parts: ≤ 0,51 µm Ra – SF1.
External: ≤ 0,76 µm Ra – SF3.
Other surface conditions see TIS.GIA – General information ADCAPure.
Ultrasonic cleaning.

OPTIONS: Special designs on request.

USE: Saturated clean steam.

AVAILABLE

MODELS: TSS6H – high capacity clean steam trap.

SIZES: 1/2" to 1 1/2".

CONNECTIONS: ASME BPE clamp ferrules.
Others on request.

PACKAGING: Assembling and packaging in a clean room certified according to ISO 14644-1.
The product is end capped and sealed with recyclable thermo-shrinkable plastic film, to avoid contamination.

INSTALLATION: Vertical installation. See IMI – Installation and maintenance instructions.



CE MARKING – GROUP 2 (PED – European Directive)

PN 10	Category
1/2" to 1 1/2"	SEP

LIMITING CONDITIONS *

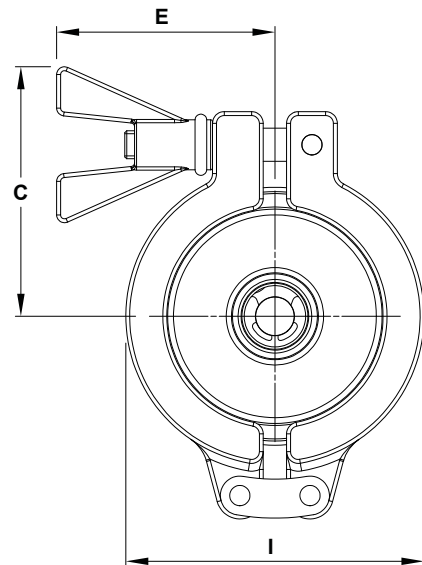
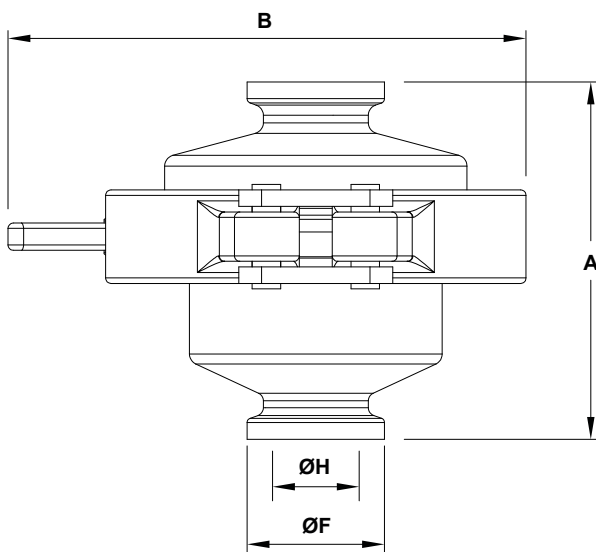
Maximum allowable pressure	10 bar
Maximum allowable temperature	177 °C
Maximum operating pressure	6 bar
Maximum operating temperature	165 °C

* Other limits on request. Maximum operating conditions may be limited by the steam trap end connections due to normative restrictions.

FLOW RATE CAPACITY (kg/h)

MODEL	SIZE	DIFFERENTIAL PRESSURE (bar)									
		0,2	0,3	0,5	1	1,5	2	3	4	5	6
TSS6H (A)	1/2"	320	380	410	550	680	909	1081	1199	1372	1403
TSS6H (B)	1/2"	912	980	1079	1641	1964	2216	2831	3242	3611	3693
TSS6H (A)	3/4"	605	640	710	900	1096	1284	1801	2000	2330	2510
TSS6H (B)	3/4"	1186	1294	1354	1970	2372	2737	3312	3845	4227	4584
TSS6H (A)	1" and 1 1/2"	780	810	915	1188	1412	1840	2305	2970	3494	3962
TSS6H (B)	1" and 1 1/2"	1291	1378	1477	2052	2531	2873	3529	4104	4494	4966

A – Condensate discharge at 5 °C below saturation temperature. B – Cold water capacity around 20 °C.

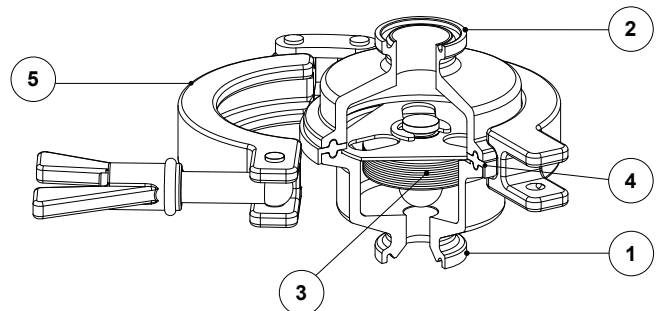


DIMENSIONS – ASME BPE (mm)

SIZE	A	B	C	E	ØF	ØH	I	WEIGHT (kg)
1/2"	65	94	64	56	25	9,4	76,5	0,7
3/4"	65	94	64	56	25	15,8	76,5	0,7
1"	65	94	64	56	50,4	22,1	76,5	0,8
1 1/2"	65	94	64	56	50,4	34,8	76,5	0,8

MATERIALS

POS. N°	DESIGNATION	MATERIAL
1	Body	AISI 316L / 1.4404
2	Cover	AISI 316L / 1.4404
3	* Thermostat	AISI 316L / 1.4404
4	* Gasket	** Glass microsphere filled PTFE
5	Safety clamp	AISI 316 / 1.4401



* Available spare parts. ** Others on request.

Remark: FDA / USP Class VI seals certificate on request.