

# ADAPTER BSPP THREAD MALE TO CLAMP

## TC imperial - BSPP Thread Male

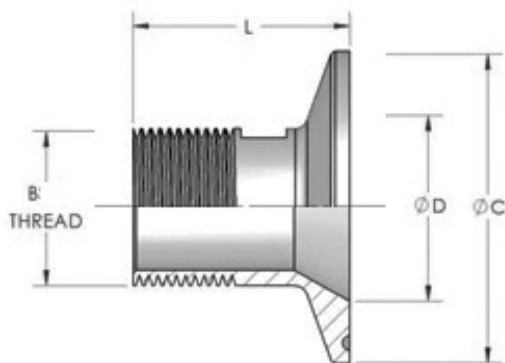
Adapters are available as either male or female and are supplied with a BSPP thread. All threaded adapters are manufactured from solid 316L bar stock. This offers both excellent material properties and guarantees good controllable surface finishes. The flanged clamping side of the BSPP adapters is dimensioned and manufactured to 'mate up' directly with corresponding ferrules.

BSPP Male adapters are manufactured with parallel threads. All adapters are supplied with machined flats for wrench applications and to aid ease of assembly.



## Technical information

Sizes	see table
Connections	Tri-clamp
Material	1.4404 (316L)
Finishes	Interior surfaces SF1
Certificates (st.)	3.1 material
Certificates (opt.)	2.2 surface finish



Clamp Size	Thread B	Flange C	Mating D	L
1/2"	1/8"	25	10.0	30
	1/4"	25	10.0	30
	3/8"	25	10.0	30
	1/2"	25	10.0	32
3/4"	3/8"	25	10.0	35
	1/2"	25	16.0	30
	3/4"	25	16.0	30
	1"	25	16.0	32
1"	3/4"	25	16.0	35
	1"	50.5	22.0	30
	1 1/4"	50.5	22.0	30
	1 1/2"	50.5	22.0	30
1 1/2"	1"	50.5	22.0	35
	1 1/4"	50.5	22.0	35
	1 1/2"	50.5	35.0	35
	1 3/4"	50.5	35.0	35
2"	1 1/2"	50.5	35.0	35
	1 3/4"	50.5	35.0	35
	2"	64	47.6	35
	2 1/4"	64	47.6	40
2 1/2"	2"	64	47.6	40
	2 1/4"	64	47.6	40
	2 1/2"	64	47.6	40
	2 3/4"	64	47.6	40

These are standard items. We also deliver other sizes, according to ISO, DIN and SMS.