

ADAPTER BSPT THREAD MALE TO CLAMP

TC imperial - BSPT Thread Male

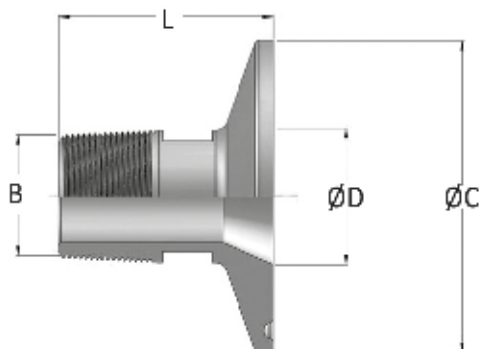
Adapters are available as either male or female and are supplied with a BSPT thread. All threaded adapters are manufactured from solid 316L bar stock. This offers both excellent material properties and guarantees good, controllable surface finishes. The flanged clamping side of the BSPT adapters is dimensioned and manufactured to 'mate up' directly with corresponding ferrules.

BSPT Male adapters are manufactured with a tapered thread. All adapters are supplied with machined flats for wrench applications and to aid ease of assembly.



Technical information

Sizes	see table
Connections	Tri-clamp
Material	1.4404 (316L)
Finishes	Interior surfaces SF1
Certificates (st.)	3.1 material
Certificates (opt.)	2.2 surface finish



Clamp Size	Thread B	Flange C	Mating D	L
1/2"	1/8"	25	10.0	30
	1/4"	25	10.0	30
	3/8"	25	10.0	30
	1/2"	25	10.0	32
3/4"	3/8"	25	10.0	35
	1/2"	25	16.0	30
	5/8"	25	16.0	30
	3/4"	25	16.0	32
1"	3/4"	25	16.0	35
	7/8"	50.5	22.0	30
	1"	50.5	22.0	30
	1 1/8"	50.5	22.0	30
1 1/2"	1 1/4"	50.5	22.0	35
	1 1/2"	50.5	22.0	35
	1 3/4"	50.5	22.0	35
	2"	50.5	22.0	35
2"	1 1/2"	50.5	35.0	35
	1 3/4"	50.5	35.0	35
	2"	50.5	35.0	35
	2 1/4"	50.5	35.0	35
2"	1 1/2"	64	47.6	35
	1 3/4"	64	47.6	40
	2"	64	47.6	40
	2 1/4"	64	47.6	40
2"	2"	64	47.6	40
	2 1/2"	64	47.6	40

These are standard items. We also deliver other sizes, according to ISO, DIN and SMS.