

# VAA Aseptic Tank Bottom Valve Self-draining 10° welded body



The 10° vertical angle enhances drainability while minimizing the internal cavity within the tank.

The welding pad of the body is conceived to be as compact as possible and flush welded to the vessel bottom, resulting as an integral part of the tank surface, for preventing stagnation of the media. Designed to be completely cleanable and sterilizable. It also offers a wide range of optional and fully customizable according to project requirements.



## ADVANTAGES:

- ✓ Fully draining
- ✓ Minimized dead leg
- ✓ Compact body
- ✓ Small welding pad
- ✓ CIP/SIP cleanable/sterilizable
- ✓ No product entrapment
- ✓ Minimized diaphragm's stress, more reliability and lifespan
- ✓ Simple and fast maintenance
- ✓ Certified materials for Pharmaceutical use
- ✓ Full traceability

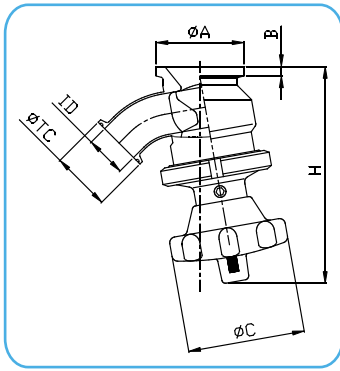
## APPLICATION:

Designed for meeting the requirements of the tanks in the Pharmaceutical, Food & Beverage, Cosmetics, Dairy and Fine Chemicals industries.

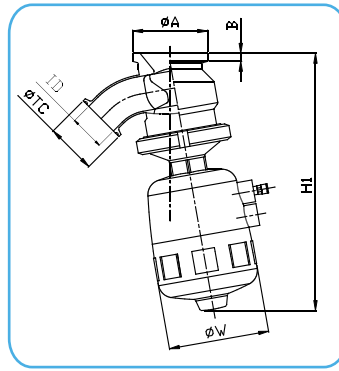
Our valves are suitable for direct installation on the bottom of tanks and preparation reactors for product discharge, with the best combination of hygienic design and flow optimization.

<b>Size range</b>	¾" - 1" - 1 ½" - 2" - 3" - 4" - 6"
<b>End connections</b>	Tri-Clamp or butt weld dimensionally according to ASME BPE
<b>Stainless steel in contact parts Material</b>	AISI 316L - 1.4404
<b>Diaphragm Material</b>	Modified PTFE Silicone (up to 2")
<b>Internal surface finish</b>	Ra ≤ 0.5µm
<b>Working pressure rating</b>	From ¾" to 2"      Vacuum + 6 barg 3" and 4"          Vacuum + 5 barg 6"                    Vacuum + 3.5 barg
<b>Certifications</b>	3.1 material certificates (in contact) according to UNI EN 10204 FDA USP Class VI ATEX <b>other certificates on request</b>

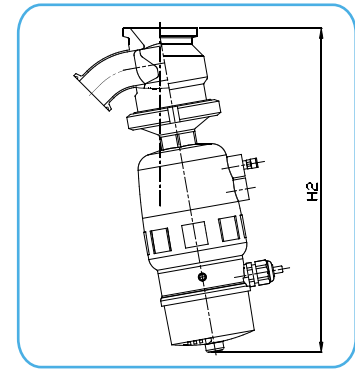
\*For actuators and optional see page 2



**VAA  
MANUAL  
THERMOPLASTIC**



**VAA  
PNEUMATIC  
THERMOPLASTIC**



**VAA  
PNEUMATIC  
THERMOPLASTIC  
+ SWITCH BOX**

CODE	SIZE	DN	ØTC mm	ID mm	ØA mm	B mm	ØC mm	H mm	ØW mm	H1 mm	H2 mm
VAA-075AH- ... -71A	¾"	20	25	15.75	50	6	50	86	53	144	212
VAA-100AJ- ... -71A	1"	25	50.5	22.1	60	8	100	170	80	214	285
VAA-150AM- ... -71A	1" ½	40	50.5	34.8	75	8	100	185	101	257	325
VAA-200AN- ... -71A	2"	50	64	47.5	115	10	100	195	126	318	392
VAA-300AP- ... -71A	3"	80	91	72.9	125	12	100	240	211	400	490
VAA-400AR- ... -71A	4"	100	119	97.4	170	15	150	325	261	448	539

\*... Check our [configurator](#) for the complete code

## STANDARD DIAPHRAGM

Size	Modified PTFE	Silicone
¾"	MVA-075-T	MVA-075-X
1"	MVA-100-T	MVA-100-X
1" ½	MVA-150-T	MVA-150-X
2"	MVA-200-T	MVA-200-X
3"	MVA-300-T	-
4"	MVA-400-T	-

\*The diaphragm's materials are not interchangeable. Contact us for switching from a material to another.



**MODIFIED PTFE**

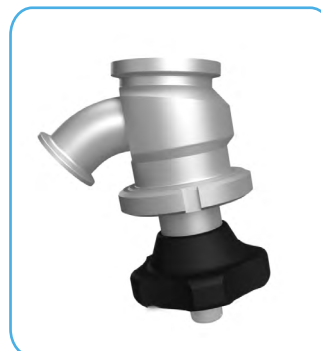


**SILICONE**

## STANDARD ACTUATORS

- Manual and pneumatic thermoPlastic have both visual position indicator
- Minimum air pressure for actuator opening:

Size	Bar
¾"	5.5
1"	5.5
1" ½	6
2"	5
3"	4.5
4"	4



**MANUAL  
THERMOPLASTIC**



**PNEUMATIC  
THERMOPLASTIC  
SIMPLE EFFECT N.C.**

### CONFIGURATOR




Last updates can be found on our website - [www.aerreinox.it](http://www.aerreinox.it)  
In the interests of development of the product, we reserve the right to change the specifications without prior notice

### DATASHEETS





- Manual stainless steel **(A)**
- Pneumatic stainless steel simple effect N.C. **(B)**
- Pneumatic stainless steel double effect
- Pneumatic thermoplastic simple effect N.O.
- Pneumatic thermoplastic double effect
- 90 Deg extension for manual actuator **(C)**
- Limit switch box **(D)**
- Sensors on handle **(E)**
- CIP/SIP Connection for internal chamber **(F)**
- CIP / SIP satellite valve **(G)**
- Bellow type diaphragm for an increased stroke **(H)**
- Diaphragm with AISI 316L coating cap, for abrasive crystall application **(I)**
- Electropolishing
- Internal surface finish  $Ra \leq 0.38\mu m$
- Other Materials
- Customizable on request
- ATEX certification  
CE  II 2G Ex h IIB T6...T3 Gb X  
 II 2D Ex h IIIC T85°C...T155°C Db X

