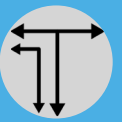


VAL -VAT In-line Aseptic Valves L/T Type



The In-line Aseptic Valves thanks to the engineered diaphragm avoid product entrapment in asymptotic area. The sealing surface is designed to be completely cleanable and sterilizable. The internal design of the body grants a complete drainability and the reduction of the Dead Leg to the minimum. It also offers a wide range of optional and fully customizable according to project requirements.



**VAL
SHUT OFF 90°**



**VAT
FLOW THROUGH 180°**

ADVANTAGES:

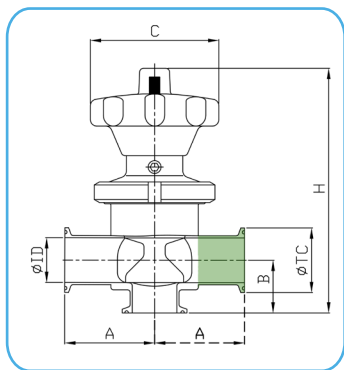
- ✓ Fully draining
- ✓ Minimized dead leg
- ✓ Compact body
- ✓ CIP/SIP cleanable/sterilizable
- ✓ No product entrapment
- ✓ Minimized diaphragm's stress, more reliability and lifespan
- ✓ Simple and fast maintenance
- ✓ Certified materials for Pharmaceutical use
- ✓ Full traceability

APPLICATION:

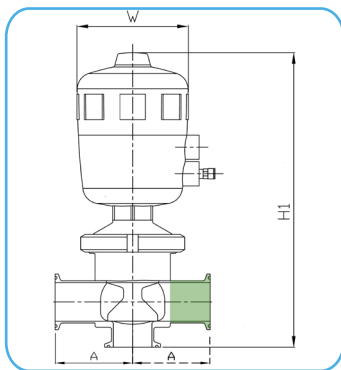
In-Line Aseptic valves suitable for installation on the process lines of Pharmaceutical, Food & Beverage, Cosmetics, Dairy and Fine Chemicals plants. These valves are the ideal solution to intercept or direct the flow of sterile fluids.

Size range	¾" - 1" - 1 ½" - 2" - 3" - 4" - 6"
End connections	Tri-Clamp or butt weld dimensionally according to ASME BPE
Stainless steel in contact parts Material	AISI 316L - 1.4404
Diaphragm Material	Modified PTFE Silicone (up to 2")
Internal surface finish	Ra ≤ 0.5µm
Working pressure rating	From ¾" to 2" Vacuum + 6 barg 3" and 4" Vacuum + 5 barg 6" Vacuum + 3.5 barg
Certifications	3.1 material certificates (in contact) according to UNI EN 10204 FDA USP Class VI ATEX other certificates on request

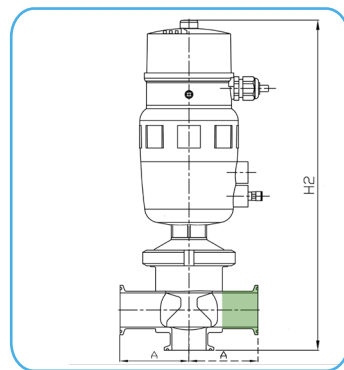
*For actuators and optional see page 2



**VAL-VAT
MANUAL
THERMOPLASTIC**



**VAL-VAT
PNEUMATIC
THERMOPLASTIC**



**VAL-VAT
PNEUMATIC
THERMOPLASTIC
+ SWITCH BOX**

CODE	SIZE	DN	ØTC mm	ID mm	A mm	B mm	ØC mm	H mm	ØW mm	H1 mm	H2 mm
VA#-075AHAH...-71A	¾"	20	25	15.75	50	31	50	100	53	158	224
VA#-100AJAJ...-71A	1"	25	50.5	22.1	59	35	100	178	80	222	297
VA#-150AMAM...-71A	1" ½	40	50.5	34.8	70	41	100	200	101	266	336
VA#-200ANAN...-71A	2"	50	64	47.5	89	48	100	206	127	329	400
VA#-300APAP...-71A	3"	80	91	72.9	100	81	100	252	211	415	507
VA#-400ARAR...-71A	4"	100	119	97.4	125	100	100	291	261	455	545

*[#] insert L or T

*... Check our [configurator](#) for the complete code

*Available in butt weld execution, contact us

STANDARD DIAPHRAGM

Size	Modified PTFE	Silicone
¾"	MVA-075-T	MVA-075-X
1"	MVA-100-T	MVA-100-X
1" ½	MVA-150-T	MVA-150-X
2"	MVA-200-T	MVA-200-X
3"	MVA-300-T	-
4"	MVA-400-T	-

*The diaphragm's materials are not interchangeable. Contact us for switching from a material to another.



MODIFIED PTFE



SILICONE

STANDARD ACTUATORS

- Manual and pneumatic thermoPlastic have both visual position indicator
- Minimum air pressure for actuator opening:

Size	Bar
¾"	5.5
1"	5.5
1" ½	6
2"	5
3"	4.5
4"	4



**MANUAL
THERMOPLASTIC**



**PNEUMATIC
THERMOPLASTIC
SIMPLE EFFECT N.C.**

CONFIGURATOR

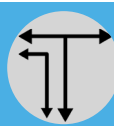


Last updates can be found on our website - www.aerreinox.it
In the interests of development of the product, we reserve the right to change the specifications without prior notice

DATASHEETS



Optional



- Manual stainless steel (**A - A**)
- Pneumatic stainless steel simple effect N.C. (**B - B**)
- Pneumatic stainless steel double effect
- Pneumatic thermoplastic simple effect N.O.
- Pneumatic thermoplastic double effect
- Limit switch box (**C - C**)
- Sensors on handle (**D - D**)
- Bellow type diaphragm for an increased stroke (**E - E**)

- Diaphragm with AISI 316L coating cap, for abrasive crystall application (**F - F**)
- Electropolishing
- Internal surface finish $Ra \leq 0.38\mu m$
- Other Materials
- Customizable on request
- ATEX certification

CE  II 2G Ex h IIB T6...T3 Gb X
II 2D Ex h IIIC T85°C...T155°C Db X

 VAL  VAT

