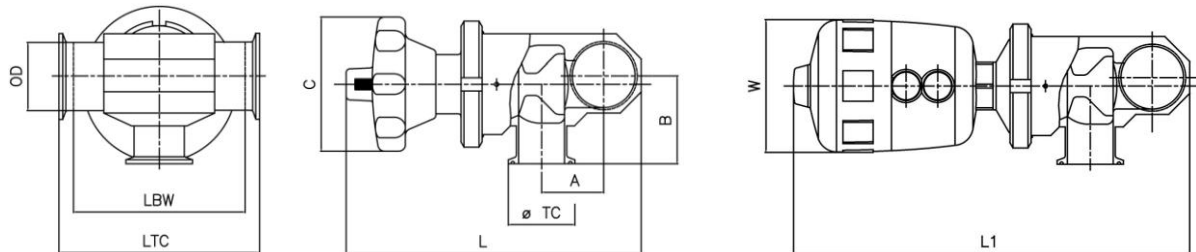


VA-TZDL T Zero Dead Leg valve dimensions



Dimensions table

CODE	ØTC	LOOP	OD	A	B	C	LBW	L	L1	W
VZA-075..H..H-(..)-71A	25,0	¾"	19,05	21	50	50	104	95	140	53
VZA-075..J..H-(..)-71A	25,0	1"	25,4	24	55	50	104	105	150	53
VZA-075..M..H-(..)-71A	25,0	1 ½"	38,1	31	60	50	104	105	150	53
VZA-075..N..H-(..)-71A	25,0	2"	50,8	37	65	50	104	130	175	53
VZA-075..O..H-(..)-71A	25,0	2 ½"	63,5	44	75	50	104	145	190	53
VZA-075..P..H-(..)-71A	25,0	3"	76,2	51	80	50	104	155	200	53
VZA-100..J..J-(..)-71A	50,4	1"	25,4	28	55	100	122	185	235	80
VZA-100..M..J-(..)-71A	50,4	1 ½"	38,1	34	61	100	122	195	245	80
VZA-100..N..J-(..)-71A	50,4	2"	50,8	40	67	100	122	210	260	80
VZA-100..O..J-(..)-71A	50,4	2 ½"	63,5	47	73	100	122	225	275	80
VZA-100..P..J-(..)-71A	50,4	3"	76,2	54	80	100	122	250	330	80
VZA-150..M..M-(..)-71A	50,4	1 ½"	38,1	41	59	100	136	210	290	101
VZA-150..N..M-(..)-71A	50,4	2"	50,8	46	66	100	136	225	300	101
VZA-150..O..M-(..)-71A	50,4	2 ½"	63,5	53	72	100	136	235	320	101
VZA-150..P..M-(..)-71A	50,4	3"	76,2	60	78	100	136	250	336	101
VZA-200..N..N-(..)-71A	64,0	2"	50,8	53	74	100	160	240	365	126
VZA-200..O..N-(..)-71A	64,0	2 ½"	63,5	59	80	100	160	255	375	126
VZA-200..P..N-(..)-71A	64,0	3"	76,2	66	86	100	160	265	390	126

code B : butt weld code A : clamped (..) code T : TFM PTFE (..) code X : Silicone (..) code MD : manual actuator (..) code PB : pneumatic actuator

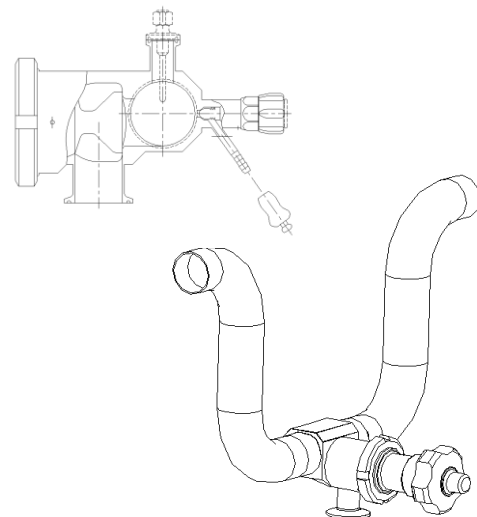
Standard execution : LBW with butt weld connection on loop and clamped outlet port

Special executions available on request :

- LTC with clamp connection on loop
- TFM 1600 PTFE bellow diaphragm for high viscosity products
- Outlet port butt weld or reduct
- CIP/SIP connection clamped or with intercepting valve
- Sample valve welded on main body
- PT100 clamp connection
- Stainless steel handle / pneumatic actuator
- Adjustable flow regulator
- Mechanical / inductive control box

BENEFITS

- Combination of many different nominal diameter
- Customer's specific design
- Optimized drainability
- Minimized dead leg
- Reduction of fittings, tubing, and field welds in the system
- Reduces surface contact, hold up volume



The application of VA-TZDL valves with U-bend welded is mainly for point of use on distribution loop for pharma

In the interests of development and improvement of the product, we reserve the right to change the specifications without prior notice.