

VSA - TC Needle valve Dimensions

Needle valve VSA-TC

The Sanitary NEEDLE valves VS-TC are machined from solid round bar in stainless steel AISI 316L, may be clamp connected with clamp fittings according BS or orbital welded onto a piping system for pipe standard according ASTM A269/270.

The VS-TC are ideal for fine regulation of high pressure fluids in purity systems applications.

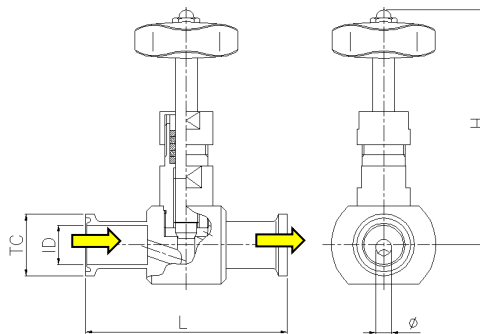
Flow direction

FLUID FLOW IN ONE DIRECTION ONLY

see the arrow marked on the body

Advantages :

- Steamable in line
- High temperature and pressure resistant
- Meets FDA and 3A specifications
- Full material traceability



Dimensions table

CODE	INCH	DN	ØTC	ID	L	Ø	H max
VSA-049Z60050PTF-71 A-R	1/2"	15	25	9,4	101,6	5,5	111
VSA-049Z60075PTF-71 A-R	3/4"	20	25	15,7	101,6	7,0	111
VSA-049Z60100PTF-71 A-R	1"	25	50,4	22,1	114,3	9,0	124
VSA-049Z60150PTF-71 A-R	1" 1/2"	40	50,4	34,8	139,7	11,5	140
VSA-049Z60200PTF-71 A-R	2"	50	50,4	47,5	158,8	17,0	185

L overall length =LTC clamped
special extended tube for orbital welding or BSP screw connections available on request

Operating conditions :

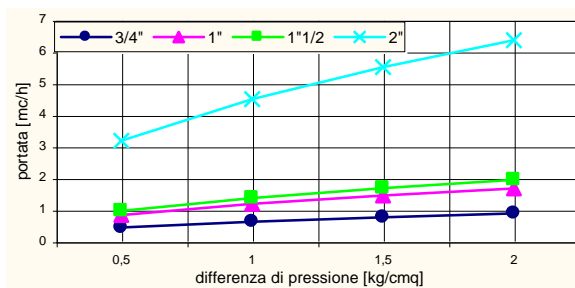
Maximum working pressure 10 barg at 21°C
Working temperature from 0°C to 150°C

Material :

valve body AISI 316L stainless steel
needle guide AISI 316L stainless steel
needle stem AISI 316L stainless steel
stem seat PTFE
sealing head AISI 316L stainless steel
knob Thermoplastic (not autoclavable)

Surface finish :

product contact surface are finish with Ra<0,5 micron or better



In the interests of development and improvement of the product, we reserve the right to change the specifications without prior notice.