



Sanitary
flow
equipment

Quality System
Certified ISO 9001



VSL 310130 MAN-L-TC dimensions Rev.2
Page 1 of 2

VS3V THREE WAYS BALL VALVE 310130

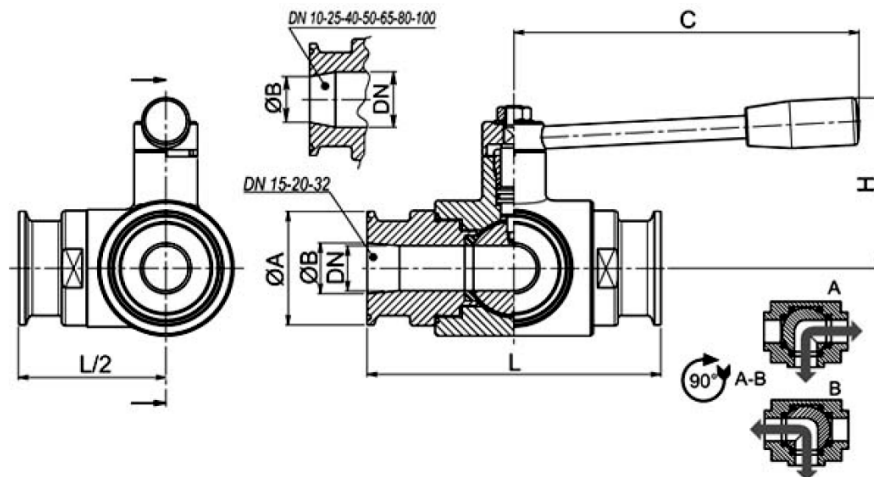


310130

3-WAYS ball valves, 4 seals, 'L' hole
Steering control: stainless steel lever,
thermoplastic knob
Connections: Clamp
Bore through: full and reduced
Material: AISI 316L
Size: from 1/2" to 4"
Seals: P.T.F.E. virgin
Operating Temperature: -20°C +160°C
Outer finish: polished

On Request

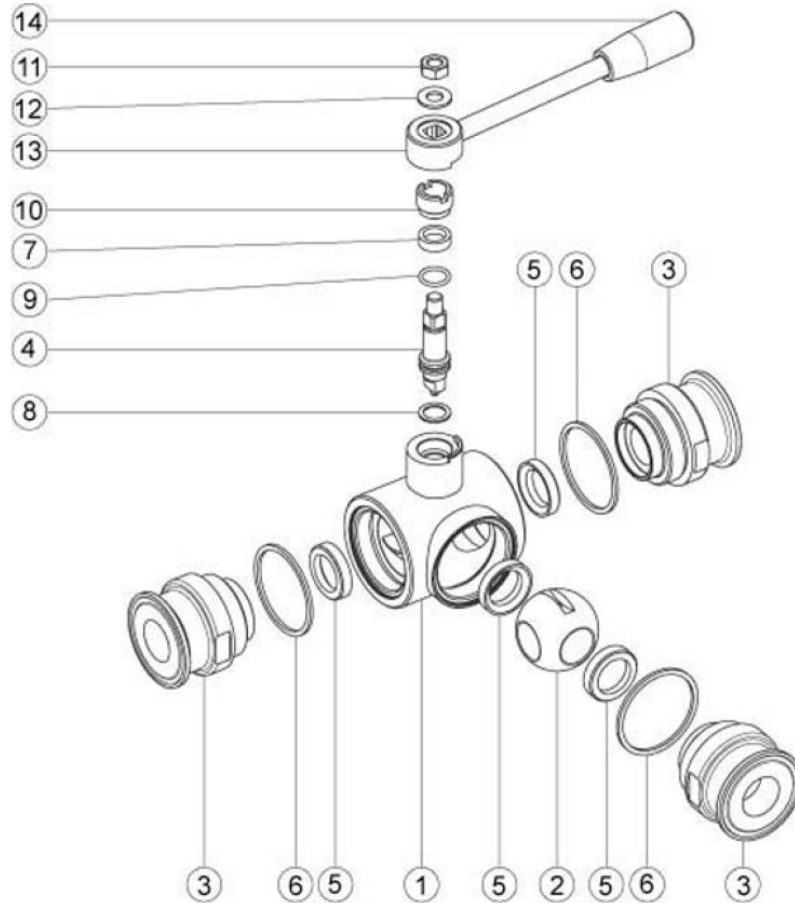
- Antistatic device ATEX
- KF connection



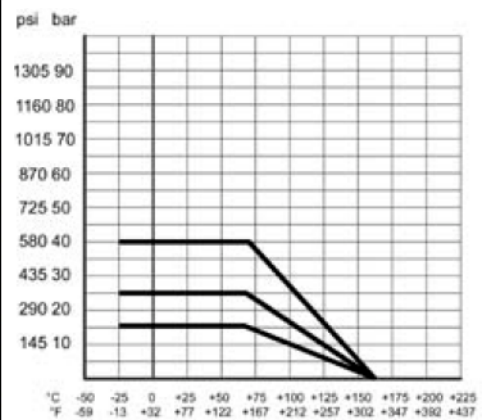
CLAMP REIHE C DN/OD	DN	L	Ø A	Ø B	C	H	PN	Kg	CODE AISI 316L
1/2"	10	108	25	9,7	110	60	40	1,08	310130 61210
3/4"	15	118	25	16	110	65	40	1,31	310130 61810
1"	20	130	50,5	22,2	160	70	40	2,47	310130 62410
1"	25	140	50,5	22,2	160	80	40	3,17	310130 62610
1 1/2"	32	156	50,5	34,8	190	95	40	4,98	310130 63210
1 1/2"	40	172	50,5	34,8	190	110	40	7,40	310130 63410
2"	50	182	64	47,5	235	120	25	8,80	310130 63810
2 1/2 *"	65	196	77,5	60,2	285	130	25	11,18	310130 64410
3 *"	80	256	91	72,6	310	145	16	22,76	310130 64810
4 *"	100	286	119	97,6	310	160	16	35,44	310130 65410



Sanitary
flow
equipment



POS.	DENOMINATION	PCS	MAT.
1	Body	1	AISI 316L
2	Ball	1	AISI 316L
3	Sleeves	3	AISI 316L
4	Stem	1	AISI 316L
5	Ball seals	4	PTFE
6	Sleeve seals	3	PTFE
7	Stem seal	1	PTFE
8	Stem seal	1	PTFE
9	Stem OR-seal	1	FKM
10	Register ring	1	AISI 304L (303)
11	Nut	1	AISI 304L
12	Washer	1	AISI 304L
13	Lever	1	AISI 304L
14	Handle	1	Resina



In the interests of development and improvement of the product, we reserve the right to change the specifications without prior notice.