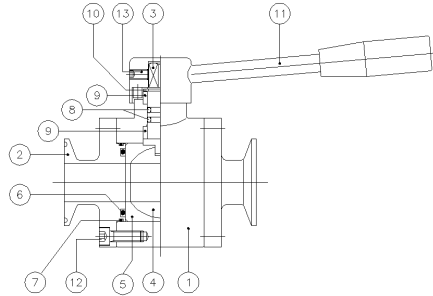
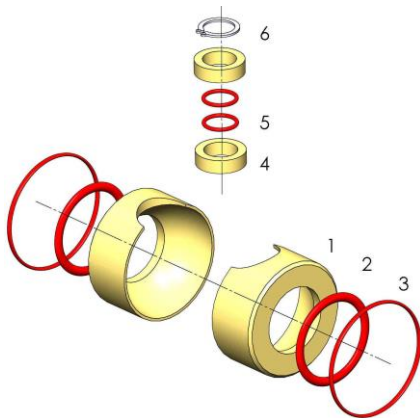


SPARE PARTS for SANITARY BALL VALVE



Standard Spare Parts KIT for VSS



KIT-VSS include

item	q.ty	description	material
5	2	seat	TFM™ PTFE
7	2	o-ring seat	FKM
6	2	o-ring heads	FKM
9	2	stem guide bushing	PTFE + 25% glass
8	2	o-ring stem	FKM
10	1	elastic ring (seeger)	AISI 304 stainless steel

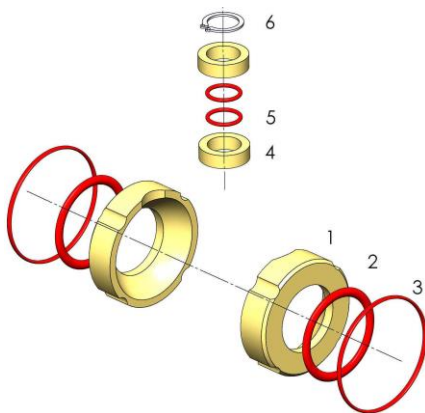


Code **VSS cavity filled seat**
TFM PTFE for high purity service
Not available for steam service

code
KSS-050-V-01
KSS-075-V-01
KSS-100-V-01
KSS-150-V-01
KSS-200-V-01
KSS-250-V-01
KSS-300-V-01
KSS-400-V-01

* one piece only O-Ring stem for size 1/2" and 3/4"

Steam Service Spare Parts KIT for VSV



KIT-VSV include

item	q.ty	description	material
5	2	special machined seat	TFM™ PTFE
7	2	o-ring seat	FKM
6	2	o-ring heads	FKM
9	2	stem guide bushing	PTFE + 25% glass
8	2	o-ring stem	FKM
10	1	elastic ring (seeger)	AISI 304 stainless steel



Code **VSV seat**
TFM PTFE for steam service

code
KSS-050-V-01
KSS-075-V-01
KSV-100-V-01
KSV-150-V-01
KSV-200-V-01
KSV-250-V-01
KSS-300-V-01
KSS-400-V-01

* one piece only O-Ring stem for size 1/2" and 3/4"
** cavity filled seat available only for size 1/2" and 3/4"