



Sanitary
flow
equipment



VS3V THREE WAYS BALL VALVE 303030

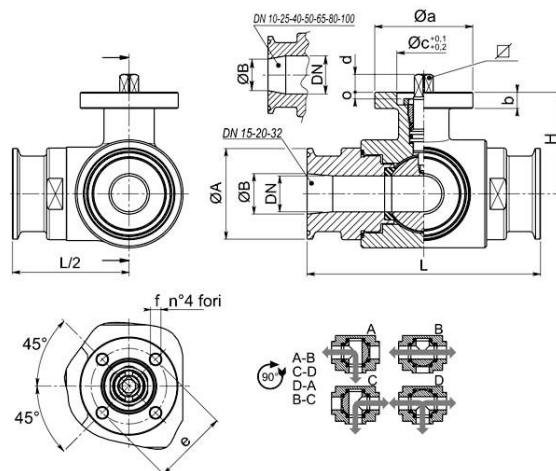


303030

3 WAYS ball valves, 4 seals, 'T' hole
Steering control: ISO5211 flange for pneumatic actuator
Connection: clamp ISO 2852 / DIN 32676
Bore through: Total
Material: AISI 304 - 316
Size: from 1/2" to 4"
Seals: P.T.F.E. virgin
Operating Temperature: -20°C +160°C
Surface Finish: Glossy

On request:

Antistatic device ATEX II 2 G-D T4 (Directive 94/9/EC)
• KF connection
• Seals made of: P.T.F.E. with glass or P.T.F.E. with carbographe High-molecular weight polyethylene

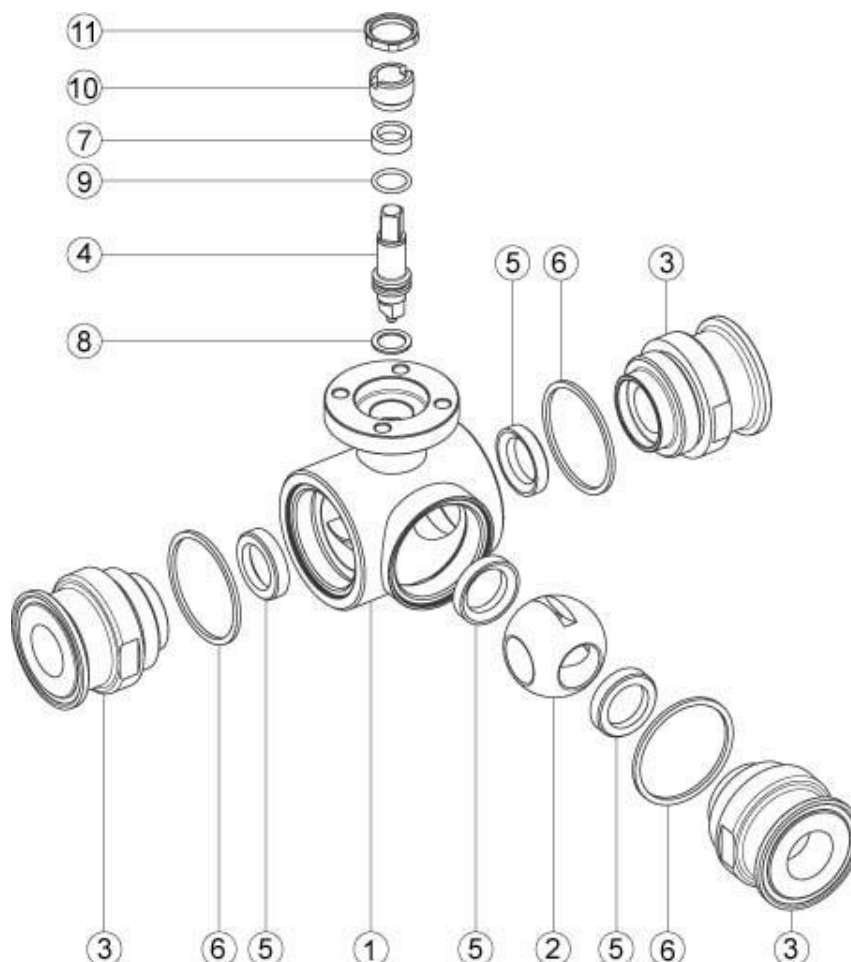


CLAMP	DN	L	Ø A	Ø B	H	PN	Kg	ISO-DIN	Ø a	B	Ø c x o	QU.	d	e	f	n°4 viti	Nm *	CODICE AISI 304L	CODICE AISI 316L
1/2"	10	108	25	9,7	46,5	40	1,06	F.03	46	9	25x3	9	8	36	6	M5x16	10		303030 61210
1/2"	10	108	25	9,7	46,5	40	1,10	F.04	54	9	30x3	11	10	42	6	M5x16	10		303030 6121F
3/4"	15	118	25	16	49	40	1,31	F.03	46	9	25x3	9	8	36	6	M5x16	12		303030 61810
3/4"	15	118	25	16	49	40	1,35	F.04	54	9	30x3	11	10	42	6	M5x16	12		303030 6181F
DIN 20	15	118	34	20	49	40	-	F.03	46	9	25x3	9	8	36	6	M5x16	12		303030 61910
DIN 20	15	118	34	20	49	40	-	F.04	54	9	30x3	11	10	42	6	M5x16	12		303030 6191F
DIN 20	20	130	50,5	22,2	56,5	40	-	F.04	54	9	30x3	11	10	42	6	M5x16	23		303030 62010
DIN 20	20	130	50,5	22,2	56,5	40	-	F.05	65	9	35x3	14	13	50	7	M6x16	23		303030 6201F
1"	20	130	50,5	22,2	56,5	40	2,43	F.04	54	9	30x3	11	10	42	6	M5x16	23		303030 62410
1"	20	130	50,5	22,2	56,5	40	2,54	F.05	65	9	35x3	14	13	50	7	M6x16	23		303030 6241F
1"	25	140	50,5	22,2	61	40	3,12	F.04	54	9	30x3	11	10	42	6	M5x16	25	303030 42610	303030 62610
1"	25	140	50,5	22,2	61	40	3,23	F.05	65	9	35x3	14	13	50	7	M6x16	25	303030 6261F	303030 6261F
1 1/2"	32	156	50,5	34,8	81,5	40	4,87	F.05	65	12	35x4	14	13	50	7	M6x20	33	303030 63210	303030 63210
1 1/2"	32	156	50,5	34,8	81,5	40	5,03	F.07	90	12	55x4	17	15	70	9	M8x20	33	303030 4321F	303030 6321F
1 1/2"	40	172	50,5	34,8	89	40	7,25	F.05	65	12	35x4	14	13	50	7	M6x20	40	303030 43410	303030 63410
1 1/2"	40	172	50,5	34,8	89	40	7,42	F.07	90	12	55x4	17	15	70	9	M8x20	40	303030 4341F	303030 6341F
2"	50	182	64	47,5	91,5	25	8,65	F.07	90	12	55x4	17	15	70	9	M8x20	50	303030 43810	303030 63810
2"	50	182	64	47,5	91,5	25	8,82	F.10	125	12	70x4	22	18	102	11	M10x25	50	303030 4381F	303030 6381F
2 1/2 **	65	196	77,5	60,2	101,5	25	10,65	F.07	90	12	55x4	17	15	70	9	M8x20	60	303030 44410	303030 64410
2 1/2 **	65	196	77,5	60,2	101,5	25	11,15	F.10	125	12	70x4	22	18	102	11	M10x25	60	303030 4441F	303030 6441F
3 ***	80	256	91	72,6	116	16	21,85	F.07	90	12	55x4	17	15	70	9	M8x20	110	303030 44810	303030 64810
3 ***	80	256	91	72,6	116	16	22,35	F.10	125	12	70x4	22	18	102	11	M10x25	110	303030 4481F	303030 6481F
4 ***	100	286	119	97,6	131	16	33,80	F.07	90	12	55x4	17	15	70	9	M8x20	130	303030 45410	303030 65410
4 ***	100	286	119	97,6	131	16	34,28	F.10	125	12	70x4	22	18	102	11	M10x25	130	303030 4541F	303030 6541F

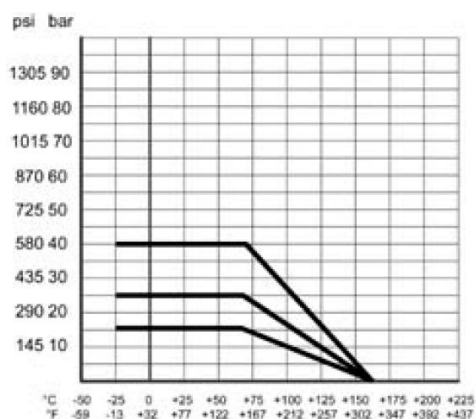


Sanitary
flow
equipment

VST 303030 PN-T-TC dimensions Rev.0.doc
Page 2 of 2



POS.	DENOMINAZIONE	P.ZI	MAT.
10	Ghiera di registro	1	AISI 304L (303)
9	OR di tenuta perno	1	FKM
8	Guarnizione perno	1	PTFE
7	Guarnizione perno	1	PTFE
6	Guarnizioni manicotti	3	PTFE
5	Guarnizioni sfera	4	PTFE
4	Perno	1	AISI 316L
3	Manicotti	3	AISI 316L
2	Sfera	1	AISI 316L
1	Corpo	1	AISI 316L
11	Controdado	1	AISI 303



In the interests of development and improvement of the product, we reserve the right to change the specifications without prior notice.