

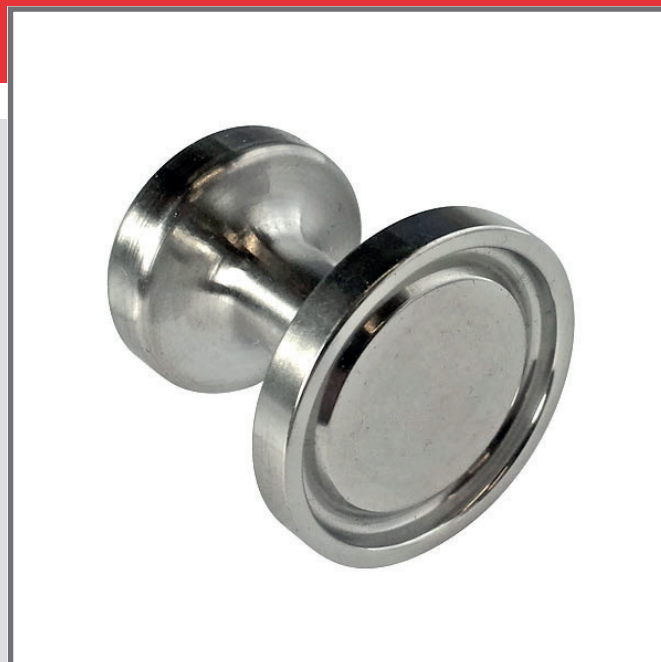
# Blind End Cap with Knob

## End Cap Tri-Clamp with knob

Hygienic Clamp Joint: Solid End Cap with knob

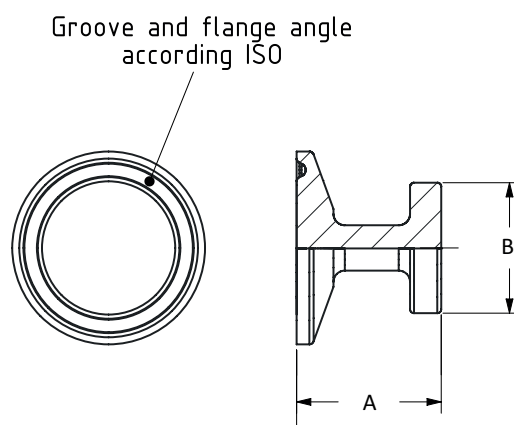
The Blind End Cap with knob is specially developed for the NA-connect or KEST-lock, where a standard Blind End Cap is hard to place or remove.

The handy knob saves a lot of time and displeasure. Romynox has these attractively priced fittings on stock.



## Technical information

Sizes	see table
Connections	Tri-Clamp
Material	316L
Finishes	SF1
Certificates	3.1



Size	A	B
25	24,0	23,0
34	25,5	23,0
50,5	25,5	23,0
64	25,5	23,0
77,5	25,5	23,0
91	25,5	23,0