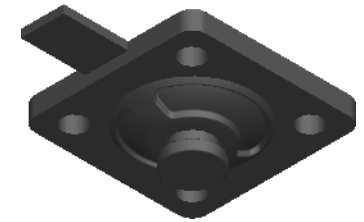
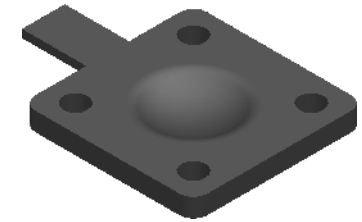
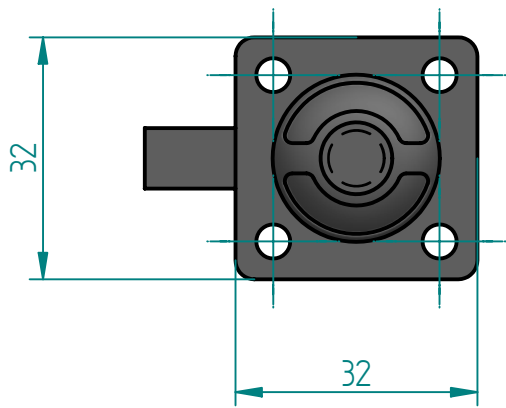
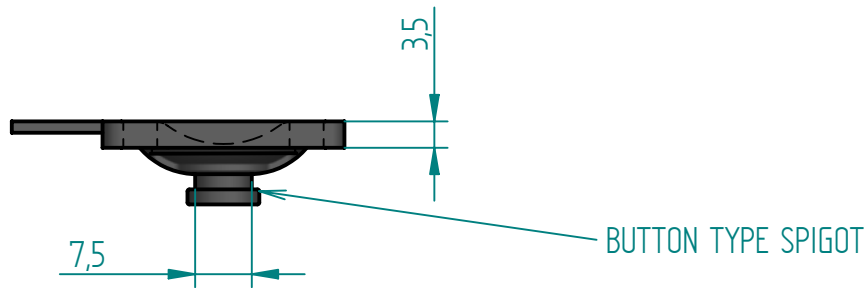
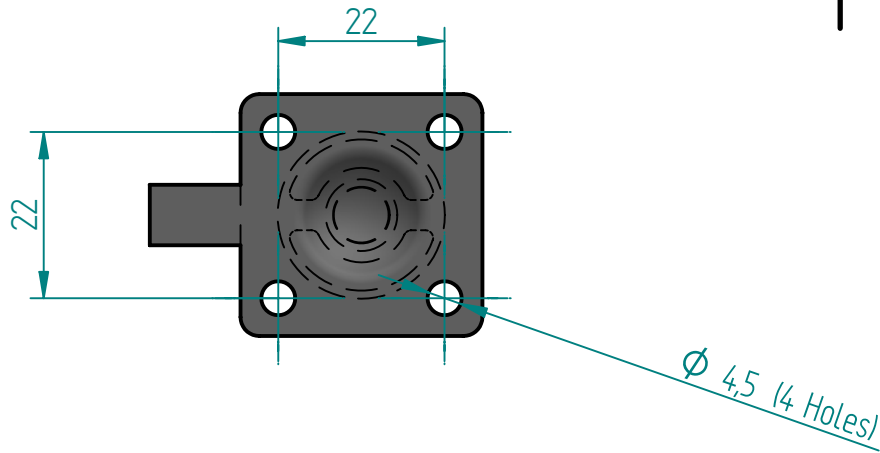



REVISION HISTORY			
REV	DESCRIPTION	DATE	APPROVED



**Replacement Diaphragm for :-**  
 OEM PART = 600008-M-13  
 USED ON 1/2" (DN8,) Diaphragm Valve

	NAME	DATE	 <b>DIAPHRAGM DIRECT</b>	
DRAWN	M. MC KEON	08/21/14		
CHECKED			TITLE	
<b>Material - EPDM</b>			<b>DD03-GE7</b>	
Complies with CFR 177.2600 and Conforms to USP Class VI Biological Reactivity Tests Section #87 and #88			SIZE A	REV C
			FILE NAME: DD03-GE7.dft	
SCALE: 1 : 1		ECO:0605	SHEET 1 OF 1	

Disclaimer - Diaphragm Direct® does not manufacture, represent, nor sell OEM valves or diaphragms manufactured by any other company. Diaphragm Direct® brand diaphragms are not sponsored by any other manufacturers. Any name, model, part number, brand, image, material or referral is for descriptive purposes only. Diaphragm Direct® brand replacement diaphragms are guaranteed to fit OEM equipment and meet or exceed OEM specifications. Diaphragm Direct® brand replacement diaphragms are covered by the standard Diaphragm Direct® limited product warranty.