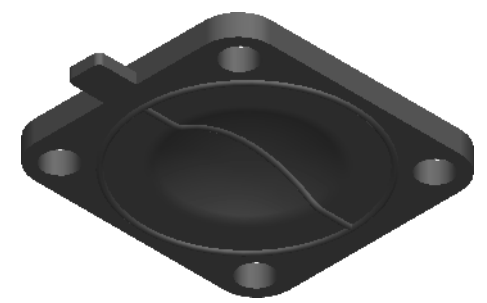
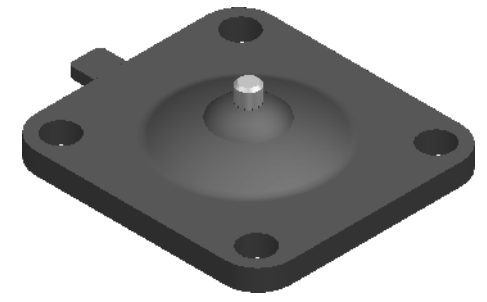
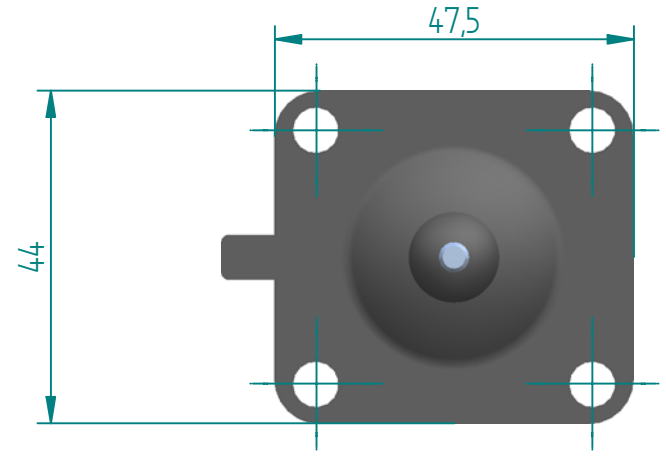
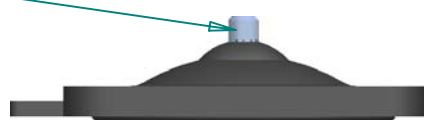


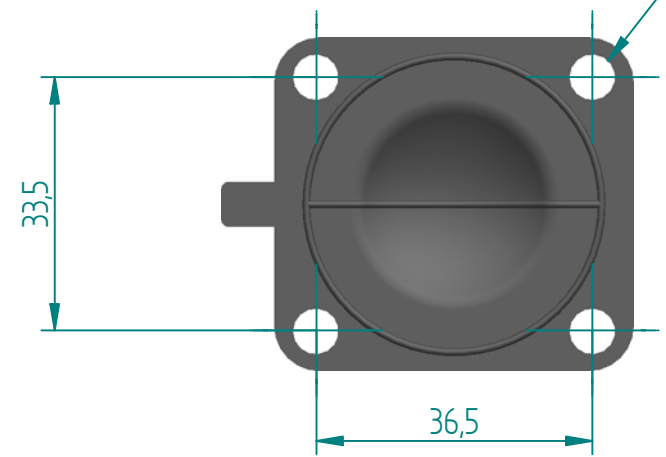
REVISION HISTORY			
REV	DESCRIPTION	DATE	APPROVED





#8-32 UNC (INSERT SCREW)



Ø6 (4 Holes)



**Replacement Diaphragm for :-**  
 OEM PART = 41281 or 46603  
 USED ON 1/2" (DN15) Diaphragm Valve

	NAME	DATE		
DRAWN	M.MC KEON	09/29/14		
CHECKED			TITLE	
<b>Material - EPDM</b> Complies with CFR 177.2600 and Conforms to USP Class VI Biological Reactivity Tests Section #87 and #88			<b>DD05-IE7</b>	
SIZE			REV	B
A			FILE NAME: DD05-IE7.dft	
SCALE: None	ECC:0605	SHEET 1 OF 1		

Disclaimer - Diaphragm Direct® does not manufacture, represent, nor sell OEM valves or diaphragms manufactured by any other company. Diaphragm Direct® brand diaphragms are not sponsored by any other manufacturers. Any name, model, part number, brand, image, material or referral is for descriptive purposes only. Diaphragm Direct® brand replacement diaphragms are guaranteed to fit OEM equipment and meet or exceed OEM specifications. Diaphragm Direct® brand replacement diaphragms are covered by the standard Diaphragm Direct® limited product warranty.