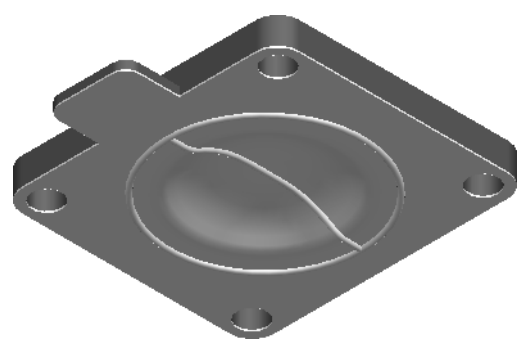
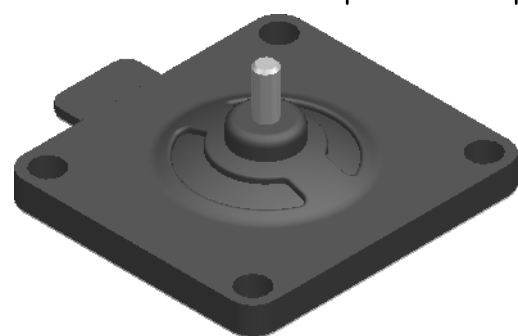


REVISION HISTORY

REV	DESCRIPTION	DATE	APPROVED



Replacement Diaphragm for :-

OEM PART NUMBER = 60010-M-52

USED ON 3/4" (DN10-15) Diaphragm Valve

	NAME	DATE
DRAWN	M. MC KEON	02/11/15
CHECKED		



Material -
PTFE laminate EPDM
-DIAPHRAGM

Complies with CFR 177.2600
 and Conforms to
 USP Class VI Biological Reactivity
 Tests Section #87 and #88

TITLE
 DD07-GTFML-WR "With Circular Outline"

SIZE A	ROMYNOX	REV B
-----------	----------------	----------

FILE NAME: DD07-GTFML-WR.dft

SCALE: 1 : 1	ECO:0605	SHEET 1 OF 1
--------------	----------	--------------

Disclaimer - Diaphragm Direct® does not manufacture, represent, nor sell OEM valves or diaphragms manufactured by any other company. Diaphragm Direct® brand diaphragms are not sponsored by any other manufacturers. Any name, model, part number, brand, image, material or referral is for descriptive purposes only. Diaphragm Direct® brand replacement diaphragms are guaranteed to fit OEM equipment and meet or exceed OEM specifications. Diaphragm Direct® brand replacement diaphragms are covered by the standard Diaphragm Direct® limited product warranty.