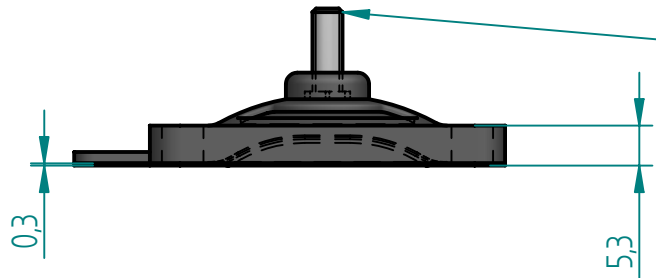
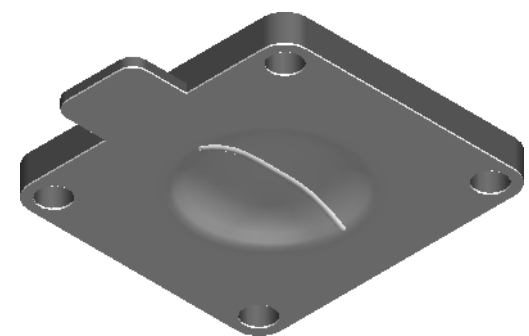
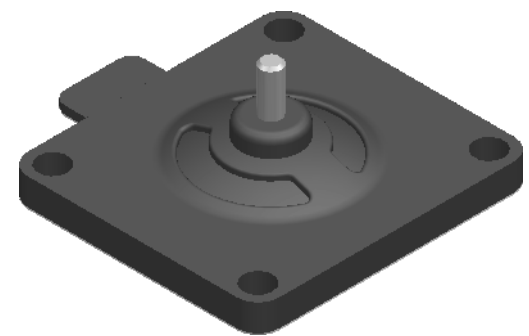
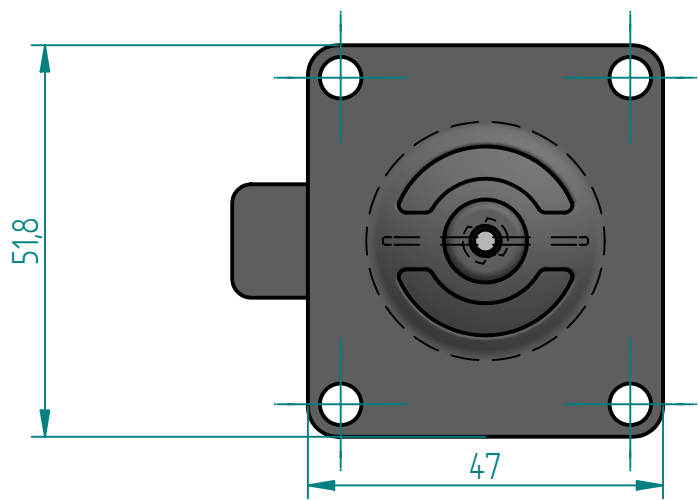
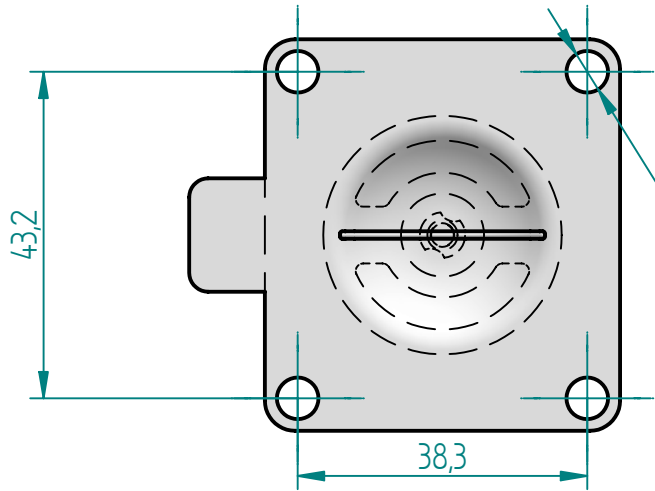


REVISION HISTORY

REV	DESCRIPTION	DATE	APPROVED
-----	-------------	------	----------



M4x0.7 INSERT SCREW



Replacement Diaphragm for :-
 OEM PART NR. = 600010-M-52
 USED ON 3/4" (DN10,) Diaphragm Valve

	NAME	DATE	
DRAWN	M. MC KEON	08/21/14	
CHECKED			TITLE
Material - EPDM BACKING PTFE - DIAPHRAGM Complies with CFR 177.2600 and Conforms to USP Class VI Biological Reactivity Tests Section #87 and #88			DD07-GTFML
SIZE			REV
A			C
SCALE: 1 : 1			ECO:0605
			SHEET 1 OF 1

Disclaimer- Diaphragm Direct® does not manufacture, represent, nor sell OEM valves or diaphragms manufactured by any other company. Diaphragm Direct® brand diaphragms are not sponsored by any other manufacturers. Any name, model, part number, brand, image, material or referral is for descriptive purposes only. Diaphragm Direct® brand replacement diaphragms are guaranteed to fit OEM equipment and meet or exceed OEM specifications. Diaphragm Direct® brand replacement diaphragms are covered by the standard Diaphragm Direct® limited product warranty.