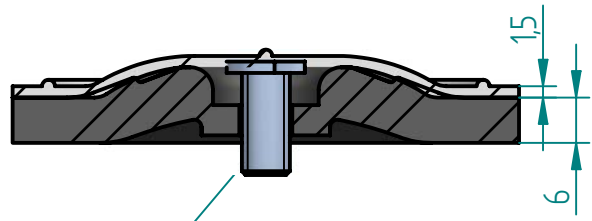
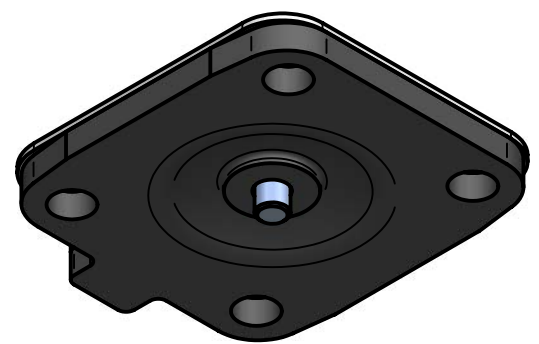
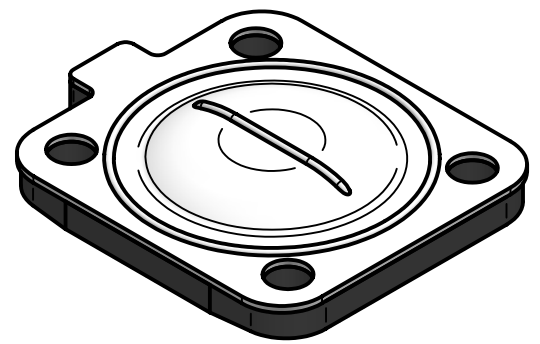


REVISION HISTORY			
REV	DESCRIPTION	DATE	APPROVED

SECTION A-A



1/4" - 20 UNC (INSERT SCREW)



Replacement Diaphragm for :-
 OEM PART = 600025-M-5F
 USED ON 1" (DN25) Diaphragm Valve

	NAME	DATE		
DRAWN	M. MC KEON	01/13/15		
CHECKED			TITLE	
Material - FPM BACKING PTFE - DIAPHRAGM Complies with CFR 177.2600 and Conforms to USP Class VI Biological Reactivity Tests Section #87 and #88			DD10-GTFM-FPM	
			SIZE	REV
			A	A
			FILE NAME: DD10-GTFM-FPM.dft	
SCALE: 1 : 1		ECO:0605	SHEET 1 OF 1	

Disclaimer - Diaphragm Direct® does not manufacture, represent, nor sell OEM valves or diaphragms manufactured by any other company. Diaphragm Direct® brand diaphragms are not sponsored by any other manufacturers. Any name, model, part number, brand, image, material or referral is for descriptive purposes only. Diaphragm Direct® brand replacement diaphragms are guaranteed to fit OEM equipment and meet or exceed OEM specifications. Diaphragm Direct® brand replacement diaphragms are covered by the standard Diaphragm Direct® limited product warranty.