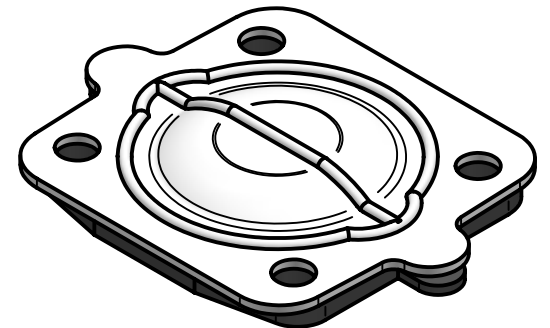


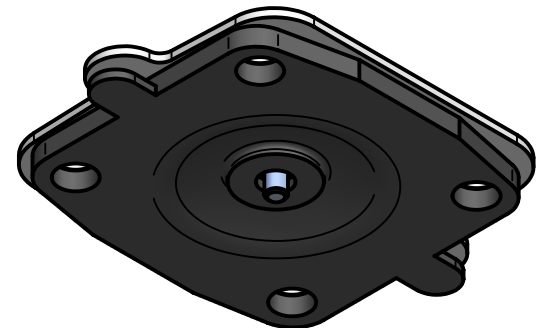
REVISION HISTORY			
REV	DESCRIPTION	DATE	APPROVED



SECTION A-A



#8 - 32 UNC (INSERT SCREW)



SCALE  
1:1.33

Replacement Diaphragm for :-  
OEM PART = 42178 or 48073  
USED ON 1" (DN25) Diaphragm Valve

	NAME	DATE
DRAWN	M. MC KEON	08/21/14
CHECKED		



**Material -**  
**EPDM BACKING**  
**TFM - DIAPHRAGM**

Complies with CFR 177.2600  
and Conforms to  
USP Class VI Biological Reactivity  
Tests Section #87 and #88

TITLE <b>DD10-ITFM</b>		
SIZE A	<b>ROMYNOX</b>	REV B
FILE NAME: DD10-ITFM.dft		
SCALE: 1 : 1	ECO:0605	SHEET 1 OF 1

Disclaimer - Diaphragm Direct® does not manufacture, represent, nor sell OEM valves or diaphragms manufactured by any other company. Diaphragm Direct® brand diaphragms are not sponsored by any other manufacturers. Any name, model, part number, brand, image, material or referral is for descriptive purposes only. Diaphragm Direct® brand replacement diaphragms are guaranteed to fit OEM equipment and meet or exceed OEM specifications. Diaphragm Direct® brand replacement diaphragms are covered by the standard Diaphragm Direct® limited product warranty.