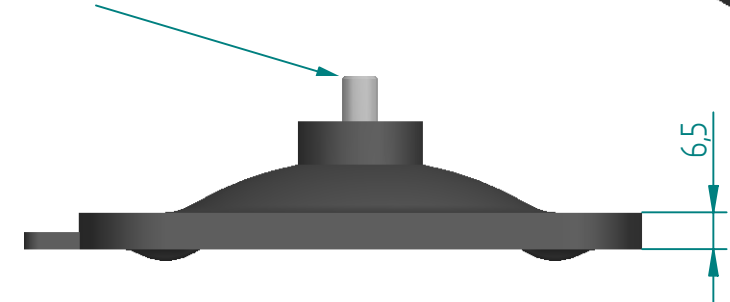
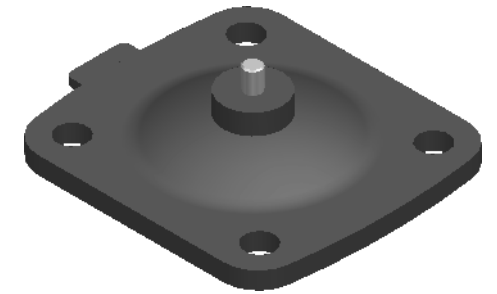


1/4" - Whitworth (INSERT SCREW)

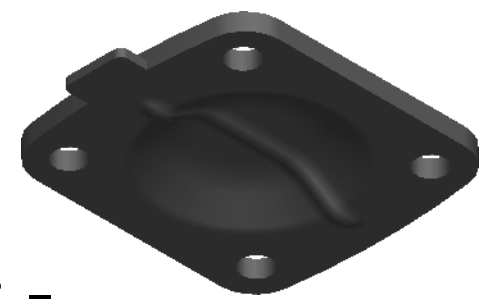


Ø 11 (4 Holes)

REVISION HISTORY			
REV	DESCRIPTION	DATE	APPROVED



SCALE  
1:2



Replacement Diaphragm for .-  
 OEM PART = 600040-M-13  
 USED ON 1.5" (DN40) Diaphragm Valve

	NAME	DATE
DRAWN	M.MC KEON	08/21/14
CHECKED		

**Material - EPDM**

Complies with CFR 177.2600  
 and Conforms to  
 USP Class VI Biological Reactivity  
 Tests Section #87 and #88



TITLE  
**DD15-GE7**

SIZE A	<b>ROMYNOX</b>	REV B
-----------	----------------	----------

FILE NAME: DD15-GE7.dft

SCALE: 1:133	ECO:0605	SHEET 1 OF 1
--------------	----------	--------------

Disclaimer - Diaphragm Direct® does not manufacture, represent, nor sell OEM valves or diaphragms manufactured by any other company. Diaphragm Direct® brand diaphragms are not sponsored by any other manufacturers. Any name, model, part number, brand, image, material or referral is for descriptive purposes only. Diaphragm Direct® brand replacement diaphragms are guaranteed to fit OEM equipment and meet or exceed OEM specifications. Diaphragm Direct® brand replacement diaphragms are covered by the standard Diaphragm Direct® limited product warranty.