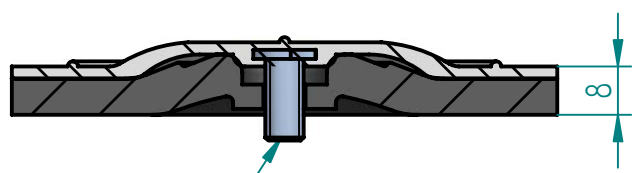
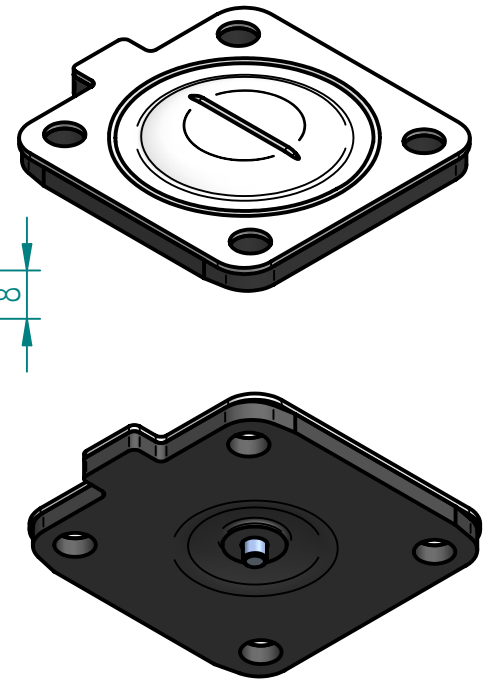


REVISION HISTORY			
REV	DESCRIPTION	DATE	APPROVED

SECTION A-A



1/4" - 20 UNC (INSERT SCREW)



Replacement Diaphragm for :-

OEM PART = 600040-M-5F

USED ON 1.5" (DN40) Diaphragm Valve

	NAME	DATE	
DRAWN	M. MC KEON	01/13/15	
CHECKED			
<p>Material -</p> <p><u>FPM BACKING</u> <u>PTFE - DIAPHRAGM</u></p> <p>Complies with CFR 177.2600 and Conforms to USP Class VI Biological Reactivity Tests Section #87 and #88</p>			<p>TITLE</p> <p>DD15-GTFM-FPM</p>
SIZE			REV
A			A
FILE NAME: DD15-GTFM-FPM.dft			
SCALE: 1 : 1	ECO:0605	SHEET 1 OF 1	

Disclaimer - Diaphragm Direct® does not manufacture, represent, nor sell OEM valves or diaphragms manufactured by any other company. Diaphragm Direct® brand diaphragms are not sponsored by any other manufacturers. Any name, model, part number, brand, image, material or referral is for descriptive purposes only. Diaphragm Direct® brand replacement diaphragms are guaranteed to fit OEM equipment and meet or exceed OEM specifications. Diaphragm Direct® brand replacement diaphragms are covered by the standard Diaphragm Direct® limited product warranty.