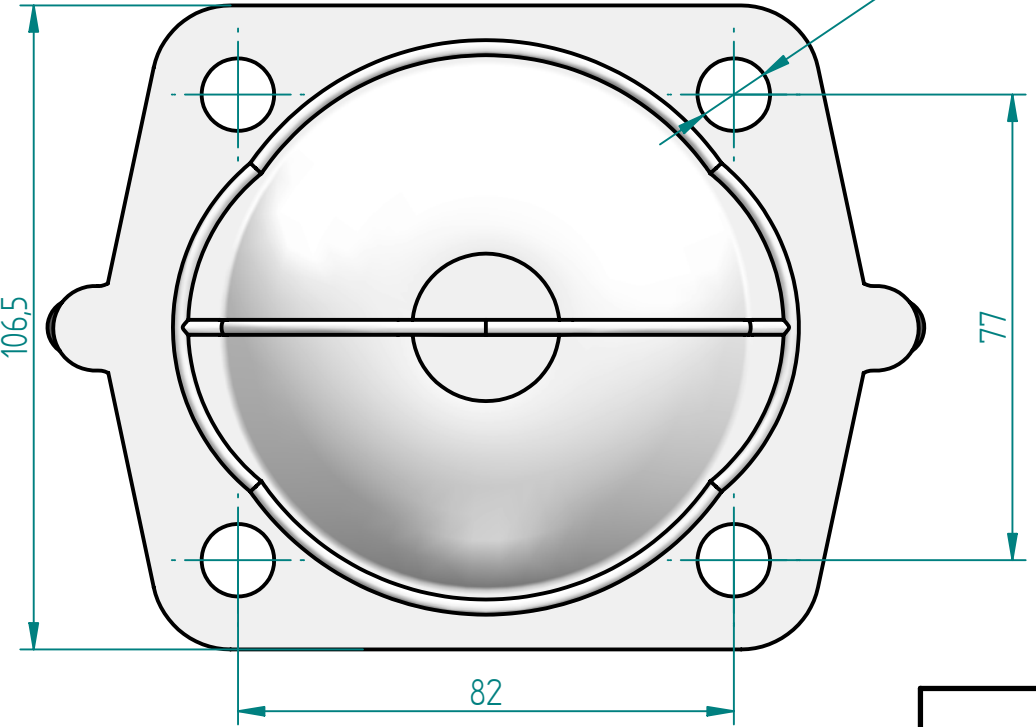
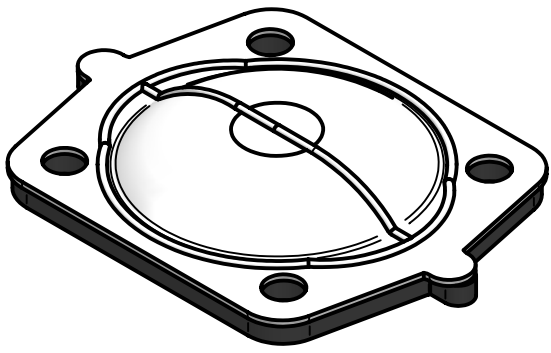


#8-32 UNC (INSERT SCREW)

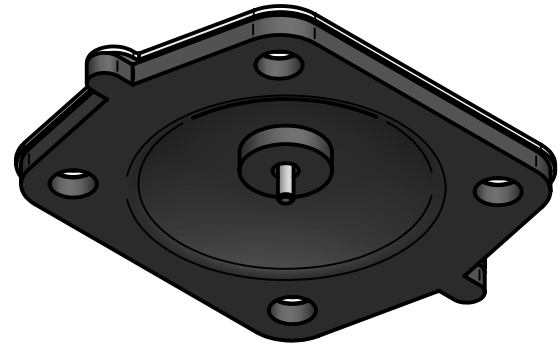


SCALE
1:1.25

REVISION HISTORY			
REV	DESCRIPTION	DATE	APPROVED



SCALE
1:2



Replacement Diaphragm for :-
OEM PART = 42180 or 48075
USED ON 2" (DN50) Diaphragm Valve

	NAME	DATE		
DRAWN	M. MC KEON	08/21/14		
CHECKED				
Material - EPDM BACKING TFM - DIAPHRAGM			TITLE	
Complies with CFR 177.2600 and Conforms to USP Class VI Biological Reactivity Tests Section #87 and #88			DD20-ITFM	
SIZE			REV	B
A			FILE NAME: DD20-ITFM.dft	
SCALE: 1 : 1.25		ECC:0605	SHEET 1 OF 1	

Disclaimer - Diaphragm Direct® does not manufacture, represent, nor sell OEM valves or diaphragms manufactured by any other company. Diaphragm Direct® brand diaphragms are not sponsored by any other manufacturers. Any name, model, part number, brand, image, material or referral is for descriptive purposes only. Diaphragm Direct® brand replacement diaphragms are guaranteed to fit OEM equipment and meet or exceed OEM specifications. Diaphragm Direct® brand replacement diaphragms are covered by the standard Diaphragm Direct® limited product warranty.