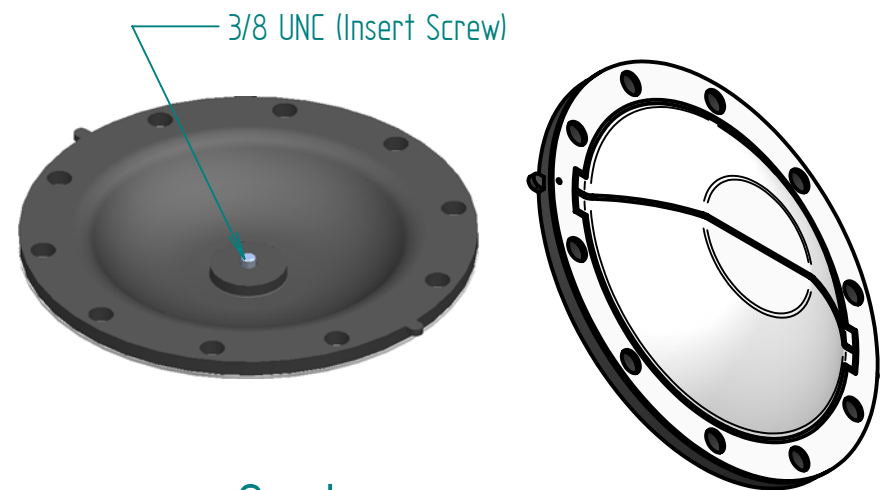


REVISION HISTORY			
REV	DESCRIPTION	DATE	APPROVED



Scale  
1:5

Replacement Diaphragm for :-  
 OEM PART = 42184 or 48079  
 USED ON 6" (DN150) Diaphragm Valves.

NAME	DATE	
DRAWN M. MC KEON	08/21/14	
CHECKED		TITLE DD60-ITFM
<b>Material - EPDM BACKING TFM-DIAPHRAGM</b> Complies with CFR 177.2600 and Conforms to USP Class VI Biological Reactivity Tests Section #87 and #88		SIZE A 
		FILE NAME: DD60-ITFM.dft SCALE: 1:25 (mm) ECO: 0605 SHEET 1 OF 1
		REV C

Disclaimer - Diaphragm Direct® does not manufacture, represent, nor sell OEM valves or diaphragms manufactured by any other company. Diaphragm Direct® brand diaphragms are not sponsored by any other manufacturers. Any name, model, part number, brand, image, material or referral is for descriptive purposes only. Diaphragm Direct® brand replacement diaphragms are guaranteed to fit OEM equipment and meet or exceed OEM specifications. Diaphragm Direct® brand replacement diaphragms are covered by the standard Diaphragm Direct® limited product warranty.