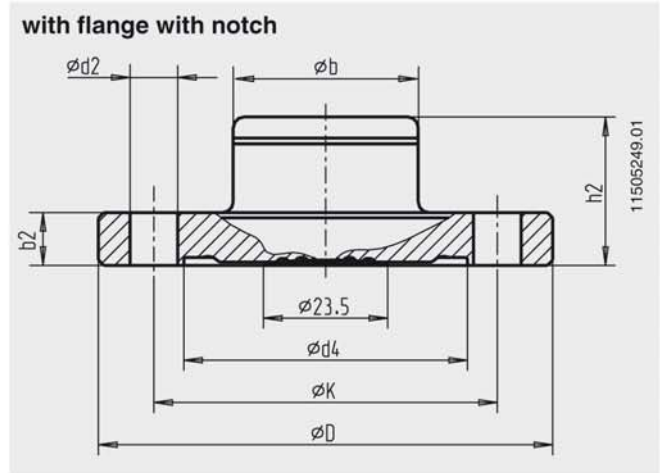
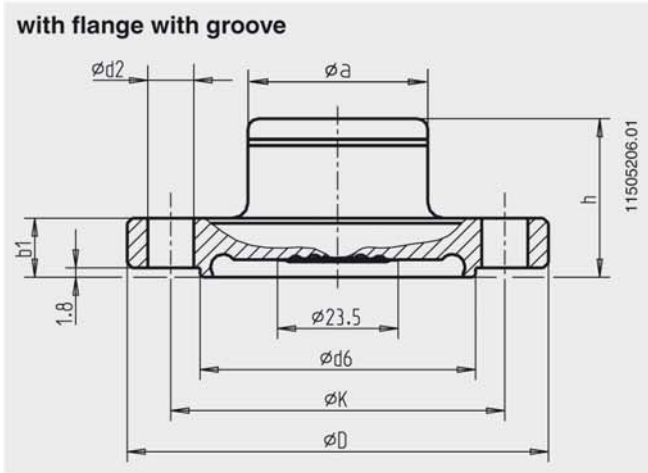


MECHANICAL PRESSURE MEASUREMENT

Option: Aseptic flanged connection DIN 11864-2 form A (O-ring)



Dimensions for corresponding pipes per DIN 11866 - column A (pipe dimensions per DIN 11 850)

DN	For pipe Outside \varnothing x thickness	PN 1)	Dimensions in mm				h	h2	b1	b2	d2	a	b	Aseptic O-ring
			d6	d4	K	D								
25	29 x 1.5	25	38.3	38.4	53	70	30	28.5	11.5	10	4 x \varnothing 9	35	35	28 x 3.5
32	35 x 1.5	25	47.6	47.7	59	76	31	28.1	11.5	10	4 x \varnothing 9	35	35	34 x 5
40	41 x 1.5	25	53.6	53.7	65	82	31	28.1	11.5	10	4 x \varnothing 9	35	35	40 x 5
50	53 x 1.5	16	65.6	65.7	77	94	31	28.1	11.5	10	4 x \varnothing 9	35	35	52 x 5
65	70 x 2.0	16	81.6	81.7	95	113	31	28.1	11.5	10	8 x \varnothing 9	60	60	68 x 5
80	85 x 2.0	16	97.6	97.7	112	133	31	28.1	13.5	12	8 x \varnothing 11	60	60	83 x 5
100	104 x 2.0	16	116.6	116.7	137	159	31	28.1	15.5	14	8 x \varnothing 11	60	60	102 x 5

Dimensions for corresponding pipes per DIN 11866 - column B (pipe dimensions per DIN EN ISO 1127)

DN	For pipe Outside \varnothing x thickness	PN 1)	Dimensions in mm				h	h2	b1	b2	d2	a	b	Aseptic O-ring
			d6	d4	K	D								
26.9	26.9 x 1.6	25	36	36.1	52	69	30	28.5	11.5	10	4 x \varnothing 9	35	35	26 x 3.5
33.7	33.7 x 2.0	25	45.3	45.4	57	74	31	28.1	11.5	10	4 x \varnothing 9	35	35	32 x 5
42.4	42.4 x 2.0	16	54	54.1	65	82	31	28.1	11.5	10	4 x \varnothing 9	35	35	40.5 x 5
48.3	48.3 x 2.0	16	59.9	60	71	88	31	28.1	11.5	10	4 x \varnothing 9	35	35	46.5 x 5
60.3	60.3 x 2.0	16	71.9	72	85	103	31	28.1	11.5	10	8 x \varnothing 9	60	60	58.5 x 5
76.1	76.1 x 2.0	16	88.1	88.1	104	125	31	28.1	13.5	12	8 x \varnothing 11	60	60	73.5 x 5
88.9	88.9 x 2.3	16	100.9	101	116	137	31	28.1	15.5	14	8 x \varnothing 11	60	60	86.5 x 5

Dimensions for corresponding pipes per DIN 11866 - column C (pipe dimensions per ASME BPE 1997)

DN	For pipe Outside \varnothing x thickness	PN 1)	Dimensions in mm				h	h2	b1	b2	d2	a	b	Aseptic O-ring
			d6	d4	K	D								
1"	25.4 x 1.65	25	34.3	34.4	49	66	30	28.5	11.5	10	4 x \varnothing 9	35	35	24 x 3.5
1½"	38.1 x 1.65	25	50.4	50.4	62	79	31	28.1	11.5	10	4 x \varnothing 9	60	35	37 x 5
2"	50.8 x 1.65	16	63.4	63.5	75	92	31	28.1	11.5	10	4 x \varnothing 9	60	35	50 x 5
2½"	63.5 x 1.65	16	75.8	75.9	89	107	31	28.1	11.5	10	4 x \varnothing 9	60	60	62 x 5
3"	76.2 x 1.65	16	89.5	89.6	104	125	31	28.1	13.5	12	8 x \varnothing 11	60	60	75 x 5
4"	101.6 x 2.11	16	114.2	114.3	135	157	31	28.1	15.5	14	8 x \varnothing 11	60	60	100 x 5

1) Permissible pressure in bar; these pressures may only be applied when using suitable O-ring materials up to a temperature of -10 to +140 °C.