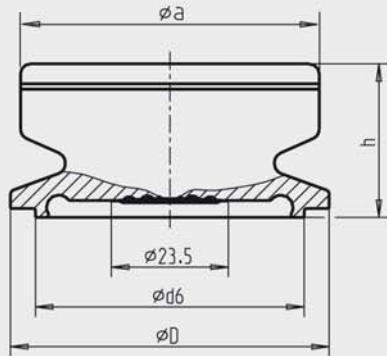


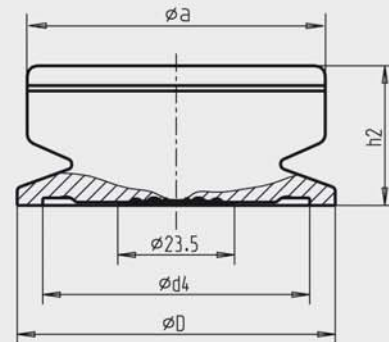
# MECHANICAL PRESSURE MEASUREMENT

## Option: Aseptic clamp connection DIN 11864-3 form A (O-ring)

with clamp connection with groove



with clamp connection with notch



Dimensions for corresponding pipes per DIN 11866 - column A (pipe dimensions per DIN 11 850)

DN	For pipe Outside $\phi$ x thickness	PN 1)	Dimensions in mm			D	h	h2	a	Aseptic O-ring
			d6	d4						
25	29 x 1.5	40	38.3	38.4	50.5	30	28.3	60	28 x 3.5	
32	35 x 1.5	40	47.6	47.7	50.5	31	28	60	34 x 5	
40	41 x 1.5	40	53.6	53.7	64	31	28	60	40 x 5	
50	53 x 1.5	25	65.6	65.7	77.5	31	28	60	52 x 5	
65	70 x 2.0	25	81.6	81.7	91	31	28	60	68 x 5	
80	85 x 2.0	25	97.6	97.7	106	31	28	60	83 x 5	
100	104 x 2.0	25	116.6	116.7	130	31	28	60	102 x 5	

Dimensions for corresponding pipes per DIN 11866 - column B (pipe dimensions per DIN EN ISO 1127)

DN	For pipe Outside $\phi$ x thickness	PN 1)	Dimensions in mm			D	h	h2	a	Aseptic O-ring
			d6	d4						
26.9	26.9 x 1.6	40	36	36.1	50.5	30	28.3	60	26 x 3.5	
33.7	33.7 x 2.0	40	45.3	45.3	50.5	31	28	60	32 x 5	
42.4	42.4 x 2.0	25	54	54.1	64	31	28	60	40.5 x 5	
48.3	48.3 x 2.0	25	59.9	60	64	31	28	60	46.5 x 5	
60.3	60.3 x 2.0	25	71.9	72	91	31	28	60	58.5 x 5	
76.1	76.1 x 2.0	16	88.1	88.2	106	31	28	60	73.5 x 5	
88.9	88.9 x 2.3	16	100.9	101	119	31	28	60	86.5 x 5	

Dimensions for corresponding pipes per DIN 11866 - column C (pipe dimensions per ASME BPE 1997)

DN	For pipe Outside $\phi$ x thickness	PN 1)	Dimensions in mm			D	h	h2	a	Aseptic O-ring
			d6	d4						
1"	25.4 x 1.65	40	34.3	34.4	50.5	30	28.3	60	24 x 3.5	
1½"	38.1 x 1.65	40	50.4	50.5	64	31	28	60	37 x 5	
2"	50.8 x 1.65	25	63.4	63.5	77.5	31	28	60	50 x 5	
2½"	63.5 x 1.65	25	75.8	75.9	91	31	28	60	62 x 5	
3"	76.2 x 1.65	16	89.5	89.6	106	31	28	60	75 x 5	
4"	101.6 x 2.11	16	114.2	114.3	130	31	28	60	100 x 5	

1) Permissible pressure in bar; these pressures may only be applied when using suitable O-ring materials up to a temperature of -10 to +140 °C.