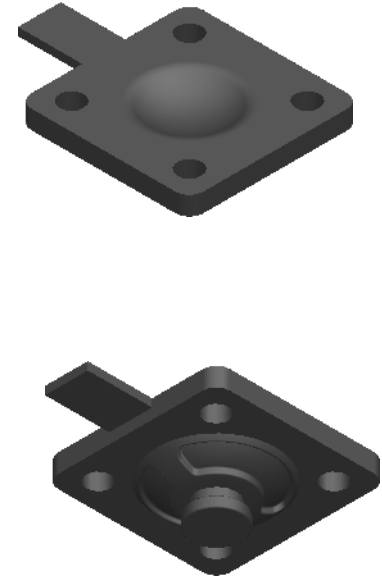
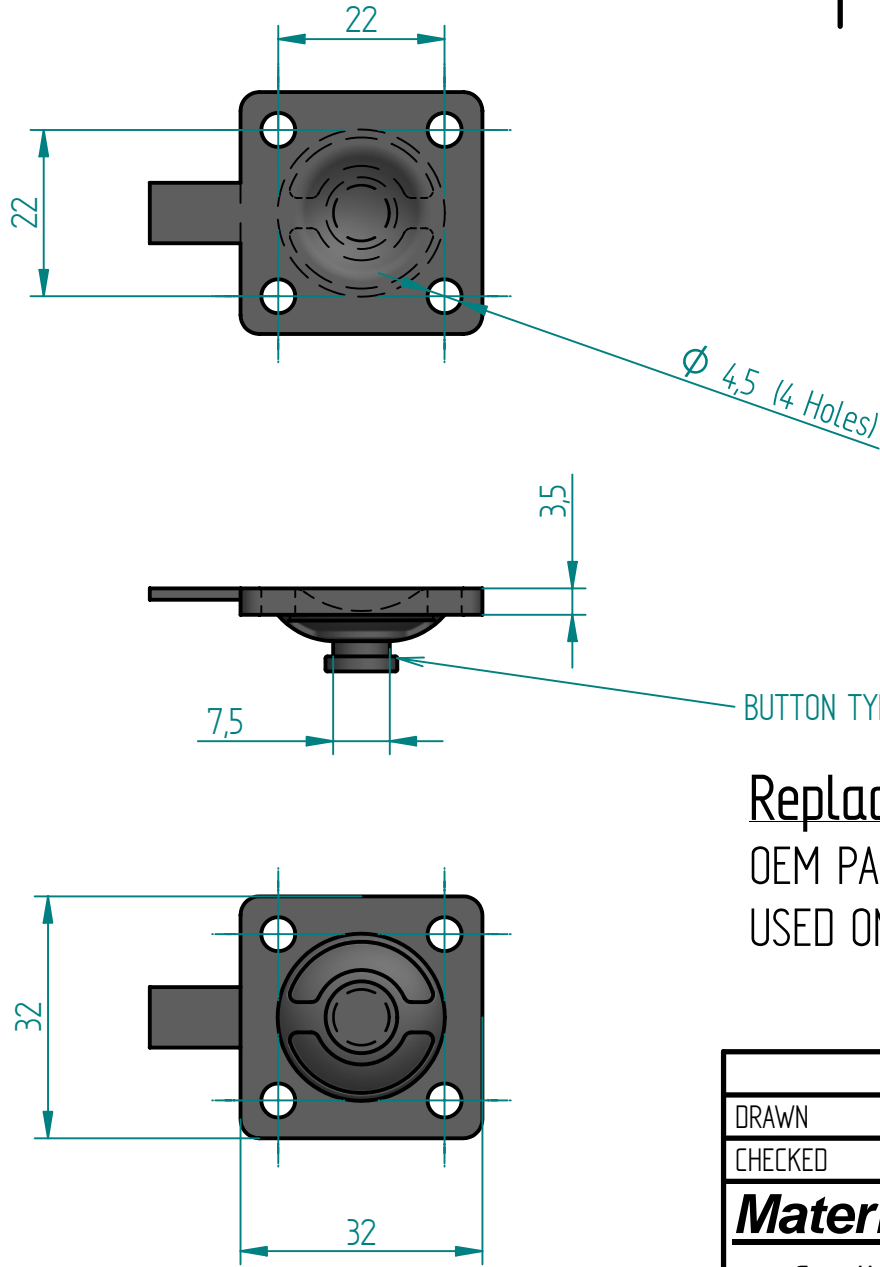




Disclaimer - Diaphragm Direct® does not manufacture, represent, nor sell OEM valves or diaphragms manufactured by any other company. Diaphragm Direct® brand diaphragms are not sponsored by any other manufacturers. Any name, model, part number, brand, image, material or referral is for descriptive purposes only. Diaphragm Direct® brand replacement diaphragms are guaranteed to fit OEM equipment and meet or exceed OEM specifications. Diaphragm Direct® brand replacement diaphragms are covered by the standard Diaphragm Direct® limited product warranty.



REVISION HISTORY			
REV	DESCRIPTION	DATE	APPROVED

Replacement Diaphragm for :-
 OEM PART = 600008-M-13
 USED ON 1/2" (DN8,) Diaphragm Valve

DRAWN		NAME	DATE	 DIAPHRAGM DIRECT
CHECKED		M. MC KEON	08/21/14	
Material - EPDM				TITLE
Complies with CFR 177.2600 and Conforms to USP Class VI Biological Reactivity Tests Section #87 and #88				DD03-GE7
SIZE			REV	A [
FILE NAME: DD03-GE7.dft				SCALE: 1 : 1 ECO:0605 SHEET 1 OF 1