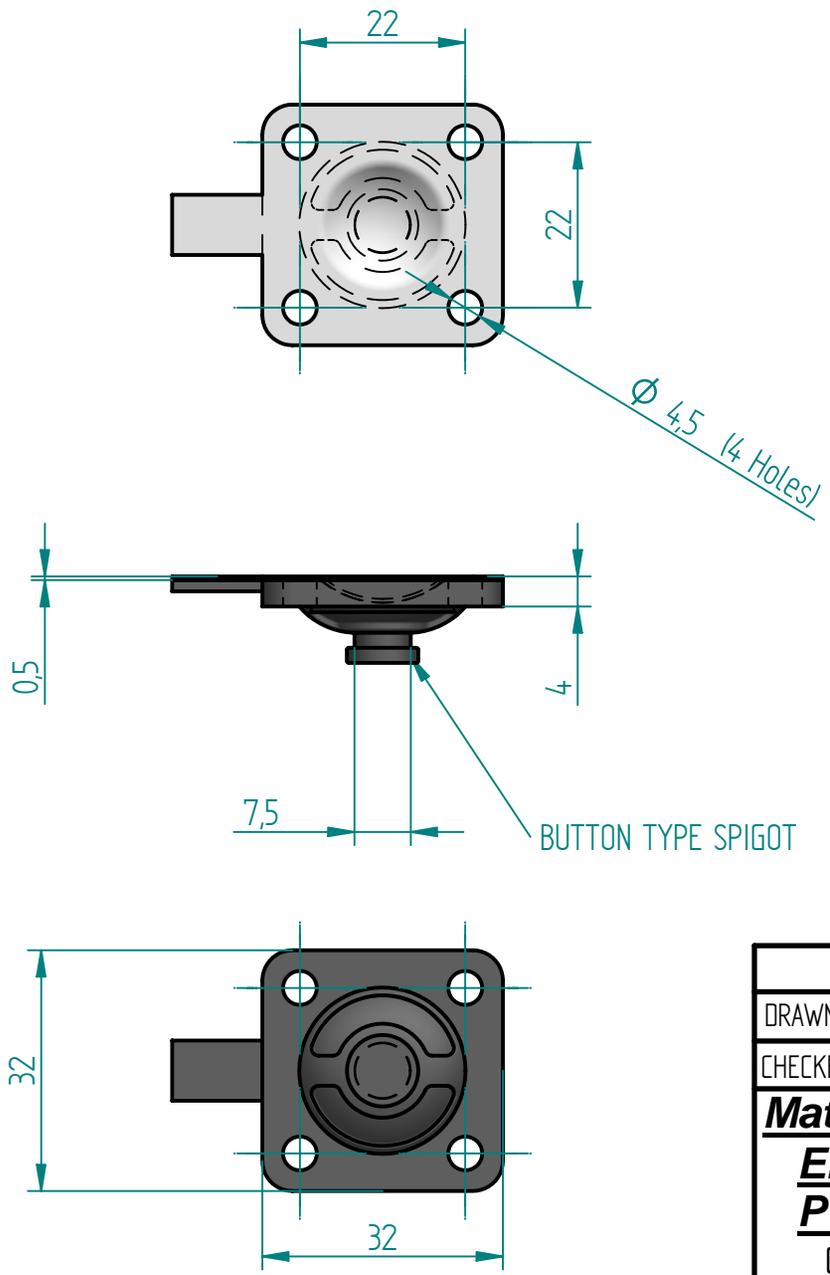
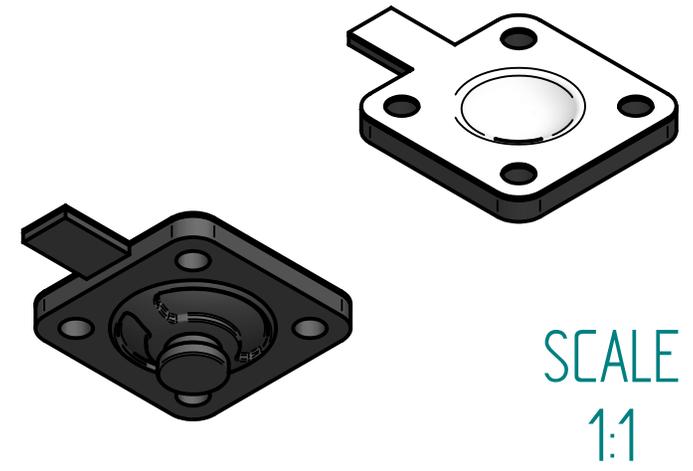


Disclaimer - Diaphragm Direct® does not manufacture, represent, nor sell OEM valves or diaphragms manufactured by any other company. Diaphragm Direct® brand diaphragms are not sponsored by any other manufacturers. Any name, model, part number, brand, image, material or referral is for descriptive purposes only. Diaphragm Direct® brand replacement diaphragms are guaranteed to fit OEM equipment and meet or exceed OEM specifications. Diaphragm Direct® brand replacement diaphragms are covered by the standard Diaphragm Direct® limited product warranty.



REVISION HISTORY

REV	DESCRIPTION	DATE	APPROVED
-----	-------------	------	----------



SCALE  
1:1

Replacement Diaphragm for :-  
 OEM PART NR. = 600008-M-52  
 USED ON 1/2" (DN8,) Diaphragm Valve

	NAME	DATE	
DRAWN	M. MC KEON	08/21/14	
CHECKED			
<b>Material -</b> <b>EPDM BACKING</b> <b>PTFE - DIAPHRAGM</b> Complies with CFR 177.2600 and Conforms to USP Class VI Biological Reactivity Tests Section #87 and #88			TITLE <b>DD03-GTFML</b>
SIZE A			REV C
SCALE: 1 : 1			FILE NAME: DD03-GTFML.dft ECO:0605 SHEET 1 OF 1