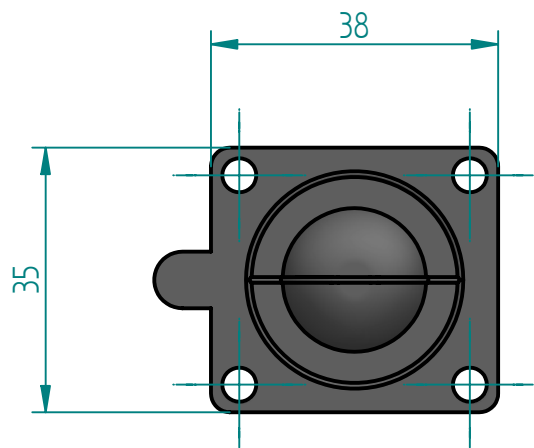
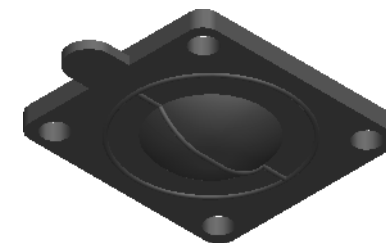
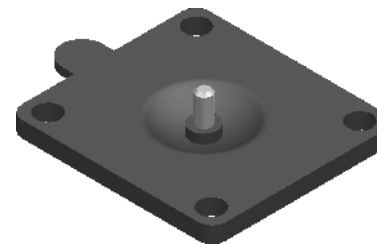
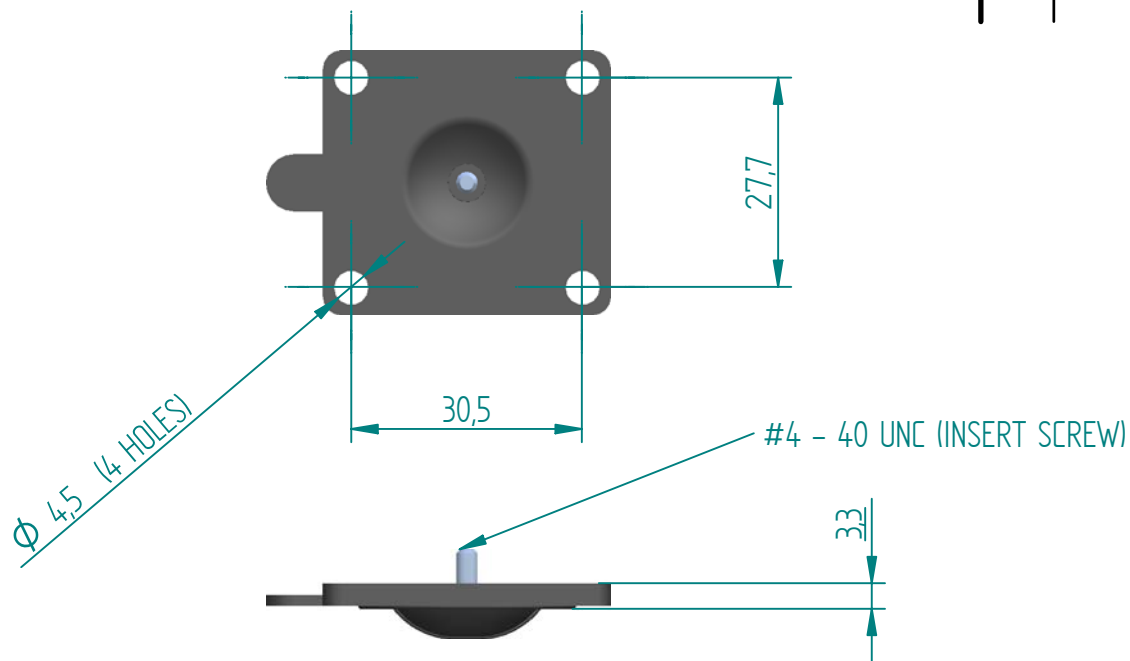




| REVISION HISTORY | | | |
|------------------|-------------|------|----------|
| REV | DESCRIPTION | DATE | APPROVED |
| | | | |



Replacement Diaphragm for :-

OEM PART = 41502 or 46602

USED ON 1/4", 3/8", 1/2" (DN4,6,8) Diaphragm Valve

| | | | | |
|--|---|----------|---|--------------|
| | NAME | DATE |  DIAPHRAGM DIRECT | |
| DRAWN | M.MC KEON | 08/21/14 | | |
| CHECKED | | | | |
| Material - EPDM | | | TITLE | |
| Complies with CFR 177.2600 and Conforms to USP Class VI Biological Reactivity Tests Section #87 and #88 | | | DD03-IE7 | |
| SIZE |  | | REV | B |
| A | | | FILE NAME: | DD03-IE7.dft |
| SCALE: | 1 : 1 | ECCO : | 0605 | SHEET 1 OF 1 |