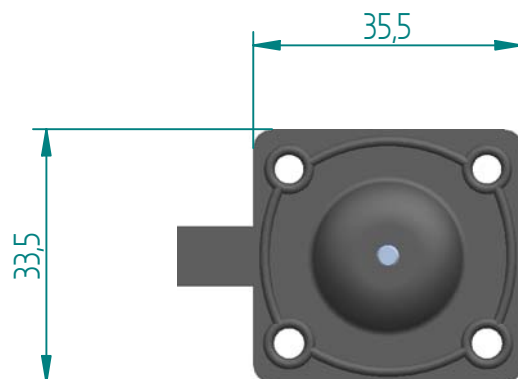
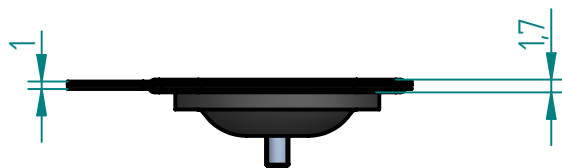
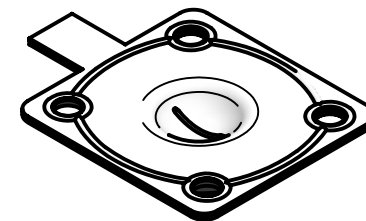
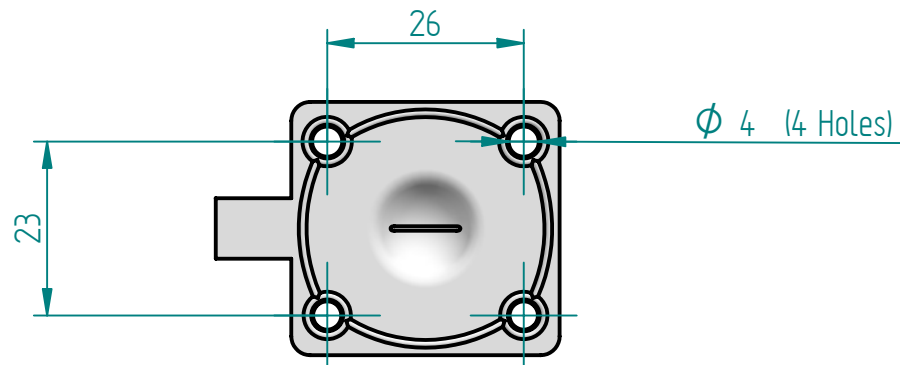


REVISION HISTORY

REV	DESCRIPTION	DATE	APPROVED



Replacement Diaphragm for :-

OEM PART = BS6

USED ON 1/4", 3/8", 1/2" (DN4,6,8) Diaphragm Valve

	NAME	DATE	
DRAWN	M. MC KEON	10/18/14	
CHECKED			
<p>Material - EPDM BACKING TFM - DIAPHRAGM</p>			<p>TITLE</p> <p>DD03-STFML-T</p>
<p>Complies with CFR 177.2600 and Conforms to USP Class VI Biological Reactivity Tests Section #87 and #88</p>			<p>SIZE A</p> <p>ROMYNOX</p> <p>REV B</p>
<p>FILE NAME: DD03-STFML-T.dft</p>			<p>SCALE: 1 : 1</p> <p>ECD:0605</p> <p>SHEET 1 OF 1</p>

Disclaimer - Diaphragm Direct® does not manufacture, represent, nor sell OEM valves or diaphragms manufactured by any other company. Diaphragm Direct® brand diaphragms are not sponsored by any other manufacturers. Any name, model, part number, brand, image, material or referral is for descriptive purposes only. Diaphragm Direct® brand replacement diaphragms are guaranteed to fit OEM equipment and meet or exceed OEM specifications. Diaphragm Direct® brand replacement diaphragms are covered by the standard Diaphragm Direct® limited product warranty.