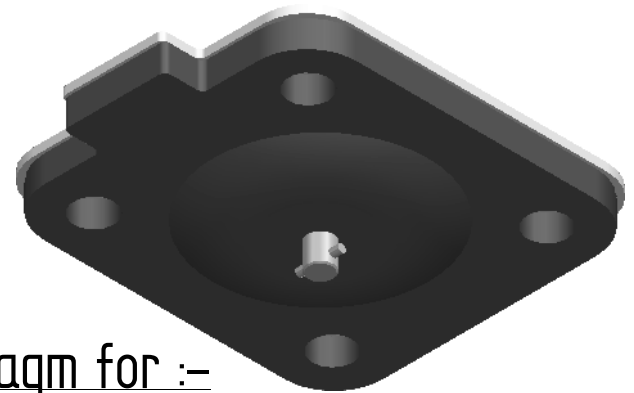
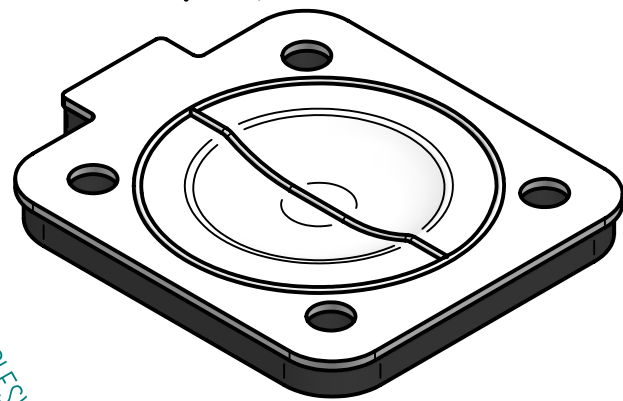


REVISION HISTORY			
REV	DESCRIPTION	DATE	APPROVED



Replacement Diaphragm for :-  
 OEM PART = 0.750-P2  
 USED ON 3/4" (DN20,) Diaphragm Valve

	NAME	DATE	
DRAWN	M. MC KEON	08/21/14	
CHECKED			
<b>Material -</b> <b>EPDM BACKING</b> <b>TFM - DIAPHRAGM</b>			TITLE
Complies with CFR 177.2600 and Conforms to USP Class VI Biological Reactivity Tests Section #87 and #88			<b>DD07-STFM</b>
SIZE			REV
A			B
FILE NAME: DD07-STFM.dft			
SCALE: 1 : 1	ECO:0605	SHEET 1 OF 1	

Disclaimer - Diaphragm Direct® does not manufacture, represent, nor sell OEM valves or diaphragms manufactured by any other company. Diaphragm Direct® brand diaphragms are not sponsored by any other manufacturers. Any name, model, part number, brand, image, material or referral is for descriptive purposes only. Diaphragm Direct® brand replacement diaphragms are guaranteed to fit OEM equipment and meet or exceed OEM specifications. Diaphragm Direct® brand replacement diaphragms are covered by the standard Diaphragm Direct® limited product warranty.