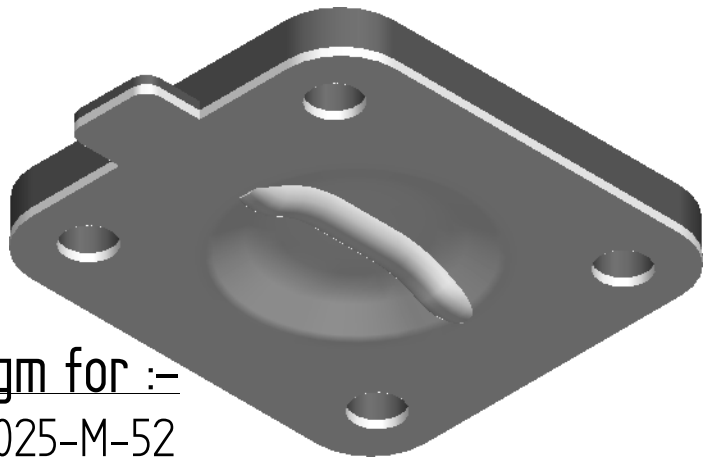


Scale
1:1



Replacement Diaphragm for :-
OEM PART NUMBER = 600025-M-52
USED ON 1" (DN25) Diaphragm Valve

Ø 8.5 (4 HOLES)

REVISION HISTORY			
REV	DESCRIPTION	DATE	APPROVED

	NAME	DATE
DRAWN	M.MC KEON	08/29/14
CHECKED		



Material -
EPDM BACKING
PTFE - DIAPHRAGM
Complies with CFR 177.2600
and Conforms to
USP Class VI Biological Reactivity
Tests Section #87 and #88

TITLE DD10-GTFM		
SIZE A4	ROMYNOX	REV B
FILE NAME: DD10-GTFM.dft		
SCALE: 1 : 1	ECO:0605	SHEET 1 OF 1

Disclaimer - Diaphragm Direct® does not manufacture, represent, nor sell OEM valves or diaphragms manufactured by any other company. Diaphragm Direct® brand diaphragms are not sponsored by any other manufacturers. Any name, model, part number, brand, image, material or referral is for descriptive purposes only. Diaphragm Direct® brand replacement diaphragms are guaranteed to fit OEM equipment and meet or exceed OEM specifications. Diaphragm Direct® brand replacement diaphragms are covered by the standard Diaphragm Direct® limited product warranty.