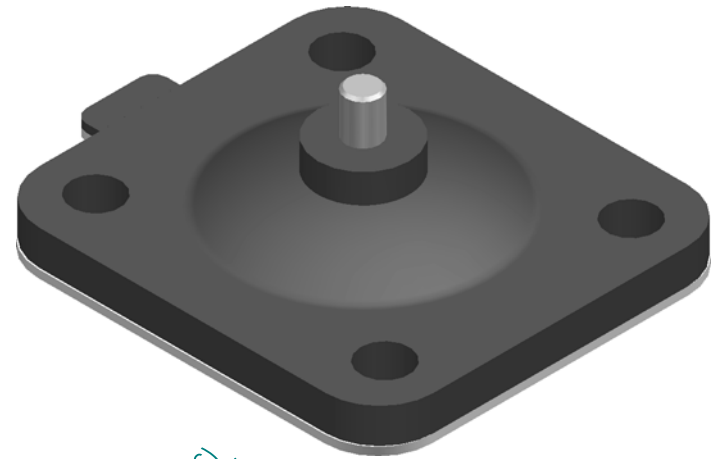
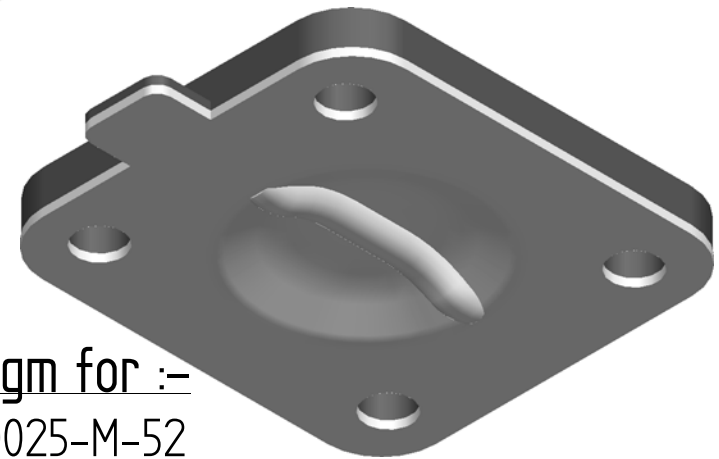


REVISION HISTORY			
REV	DESCRIPTION	DATE	APPROVED



Scale  
1:1



Replacement Diaphragm for :-  
OEM PART NUMBER = 600025-M-52  
USED ON 1" (DN25) Diaphragm Valve

	NAME	DATE
DRAWN	M.MC KEON	10/22/14
CHECKED		



**Material -**  
***PTFE laminate EPDM***  
***- DIAPHRAGM***  
Complies with CFR 177.2600  
and Conforms to  
USP Class VI Biological Reactivity  
Tests Section #87 and #88

TITLE <b>DD10-GTFML</b>		
SIZE A4	<b>ROMYNOX</b>	REV A
FILE NAME: DD10-GTFML.dft		
SCALE: 1 : 1	ECO:0605	SHEET 1 OF 1

Disclaimer - Diaphragm Direct® does not manufacture, represent, nor sell OEM valves or diaphragms manufactured by any other company. Diaphragm Direct® brand diaphragms are not sponsored by any other manufacturers. Any name, model, part number, brand, image, material or referral is for descriptive purposes only. Diaphragm Direct® brand replacement diaphragms are guaranteed to fit OEM equipment and meet or exceed OEM specifications. Diaphragm Direct® brand replacement diaphragms are covered by the standard Diaphragm Direct® limited product warranty.