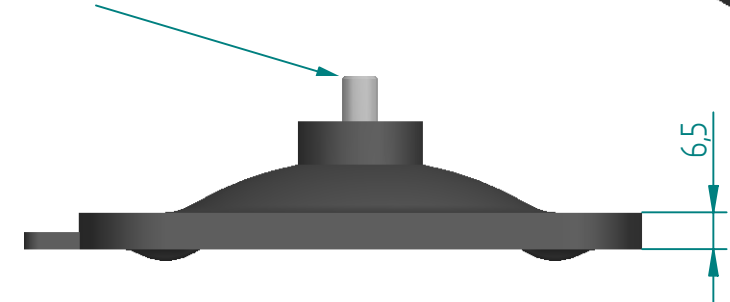
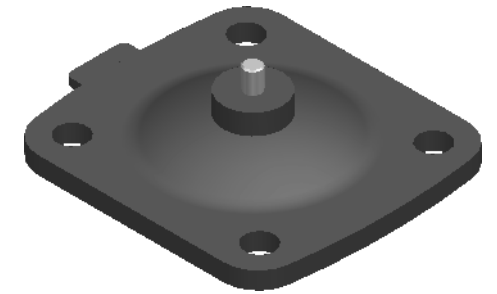


1/4" - Whitworth (INSERT SCREW)

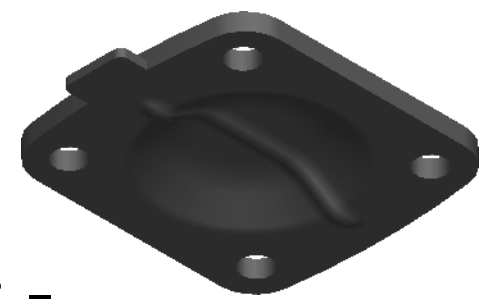


Ø 11 (4 Holes)

| REVISION HISTORY | | | |
|------------------|-------------|------|----------|
| REV | DESCRIPTION | DATE | APPROVED |
| | | | |



SCALE
1:2



Replacement Diaphragm for .-
 OEM PART = 600040-M-13
 USED ON 1.5" (DN40) Diaphragm Valve

| | | |
|---------|-----------|----------|
| | NAME | DATE |
| DRAWN | M.MC KEON | 08/21/14 |
| CHECKED | | |

Material - EPDM

Complies with CFR 177.2600
 and Conforms to
 USP Class VI Biological Reactivity
 Tests Section #87 and #88



TITLE
DD15-GE7

| | | |
|-----------|----------------|----------|
| SIZE A | ROMYNOX | REV B |
|-----------|----------------|----------|

FILE NAME: DD15-GE7.dft

| | | |
|--------------|----------|--------------|
| SCALE: 1:133 | ECO:0605 | SHEET 1 OF 1 |
|--------------|----------|--------------|

Disclaimer - Diaphragm Direct® does not manufacture, represent, nor sell OEM valves or diaphragms manufactured by any other company. Diaphragm Direct® brand diaphragms are not sponsored by any other manufacturers. Any name, model, part number, brand, image, material or referral is for descriptive purposes only. Diaphragm Direct® brand replacement diaphragms are guaranteed to fit OEM equipment and meet or exceed OEM specifications. Diaphragm Direct® brand replacement diaphragms are covered by the standard Diaphragm Direct® limited product warranty.