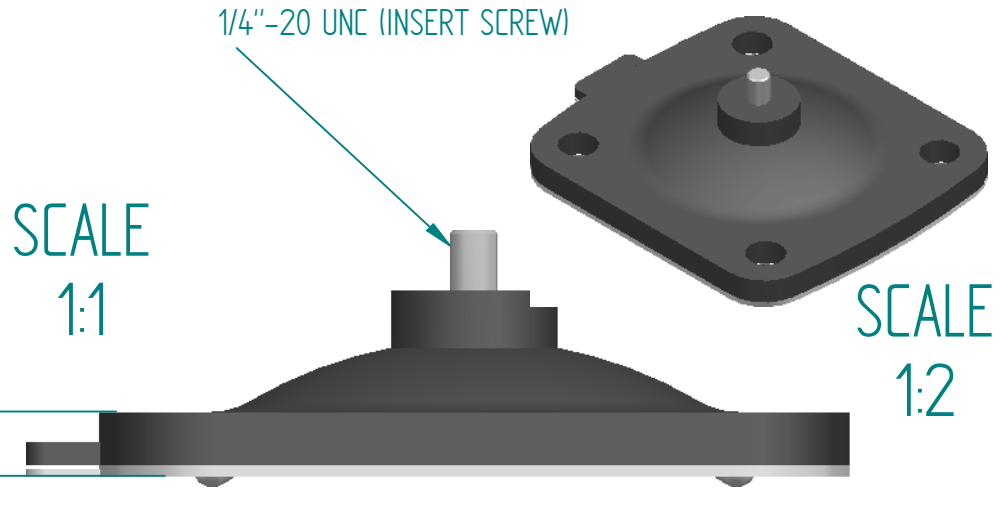


Ø 10,5 (4 HOLES)

REVISION HISTORY			
REV	DESCRIPTION	DATE	APPROVED



SCALE 1:1

SCALE 1:2

Replacement Diaphragm for :-
 OEM PART NUMBER = 600040-M-52
 USED ON 1.5" (DN40) Diaphragm Valve

	NAME	DATE
DRAWN	M.MC KEON	08/29/14
CHECKED		



Material -
PTFE laminate EPDM
- DIAPHRAGM
 Complies with CFR 177.2600
 and Conforms to
 USP Class VI Biological Reactivity
 Tests Section #87 and #88

TITLE		
DD15-GTFML		
SIZE	ROMYNOX	REV
A		A
FILE NAME: DD15-GTFML.dft		
SCALE: 1 : 1	ECO:0605	SHEET 1 OF 1

Disclaimer - Diaphragm Direct® does not manufacture, represent, nor sell OEM valves or diaphragms manufactured by any other company. Diaphragm Direct® brand diaphragms are not sponsored by any other manufacturers. Any name, model, part number, brand, image, material or referral is for descriptive purposes only. Diaphragm Direct® brand replacement diaphragms are guaranteed to fit OEM equipment and meet or exceed OEM specifications. Diaphragm Direct® brand replacement diaphragms are covered by the standard Diaphragm Direct® limited product warranty.