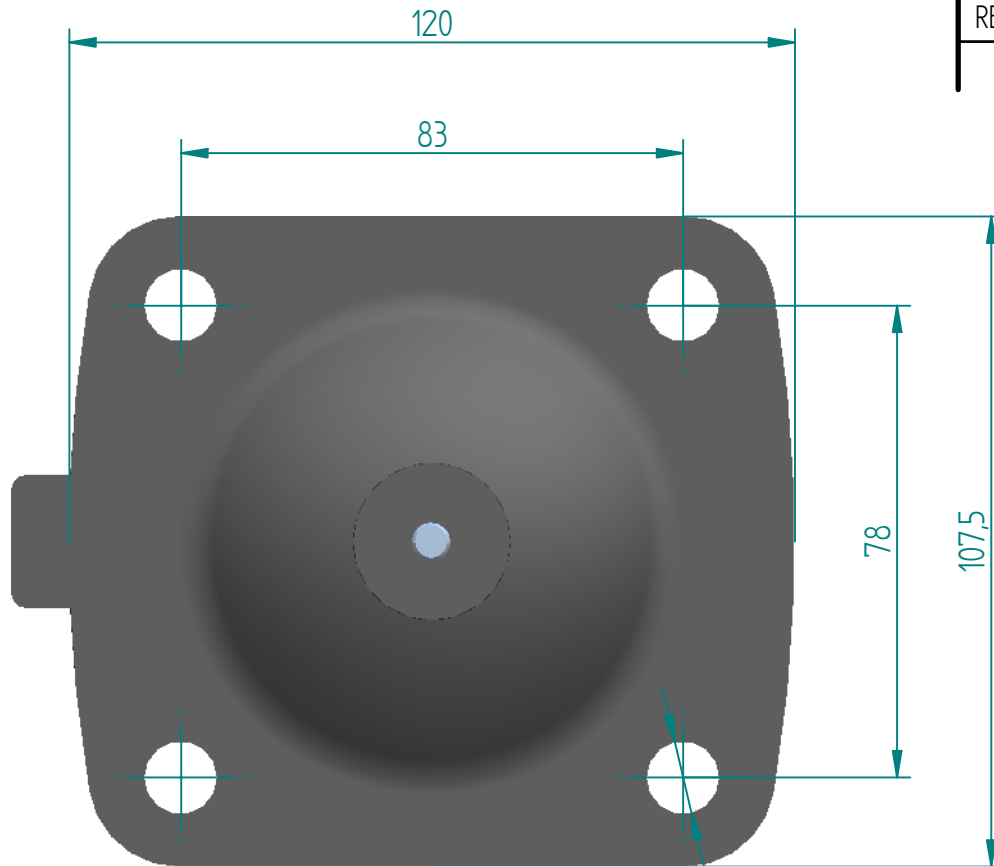
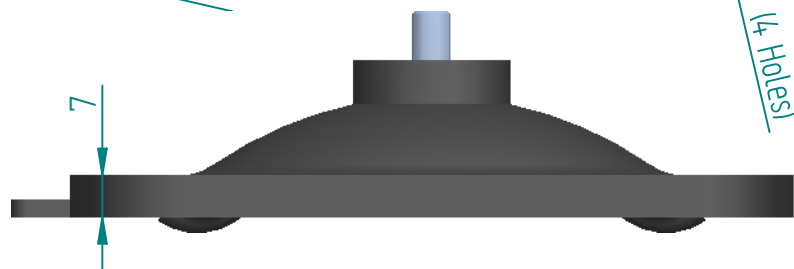


Disclaimer - Diaphragm Direct® does not manufacture, represent, nor sell OEM valves or diaphragms manufactured by any other company. Diaphragm Direct® brand diaphragms are not sponsored by any other manufacturers. Any name, model, part number, brand, image, material or referral is for descriptive purposes only. Diaphragm Direct® brand replacement diaphragms are guaranteed to fit OEM equipment and meet or exceed OEM specifications. Diaphragm Direct® brand replacement diaphragms are covered by the standard Diaphragm Direct® limited product warranty.

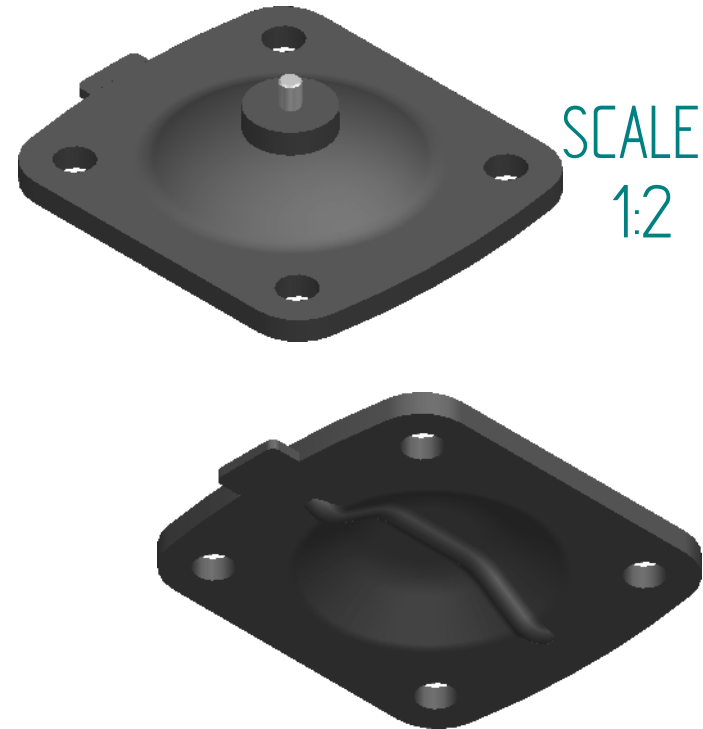


1/4" - Whitworth (INSERT SCREW)



φ 12 (1/4 Holes)

REVISION HISTORY			
REV	DESCRIPTION	DATE	APPROVED



SCALE  
1:2

### Replacement Diaphragm for :-

OEM PART = 2.000-EF

USED ON 2" (DN50) [SAUNDERS®] Diaphragm Valve

	NAME	DATE
DRAWN	M.MC KEON	08/21/14
CHECKED		

**Material - EPDM**

Complies with CFR 177.2600  
and Conforms to  
USP Class VI Biological Reactivity  
Tests Section #87 and #88

<b>DIAPHRAGM DIRECT</b>	
TITLE <b>DD20-SE7</b>	
SIZE A	
REV B	
FILE NAME: DD20-SE7.dft	
SCALE: 1 : 1.25	ECO:0605 SHEET 1 OF 1