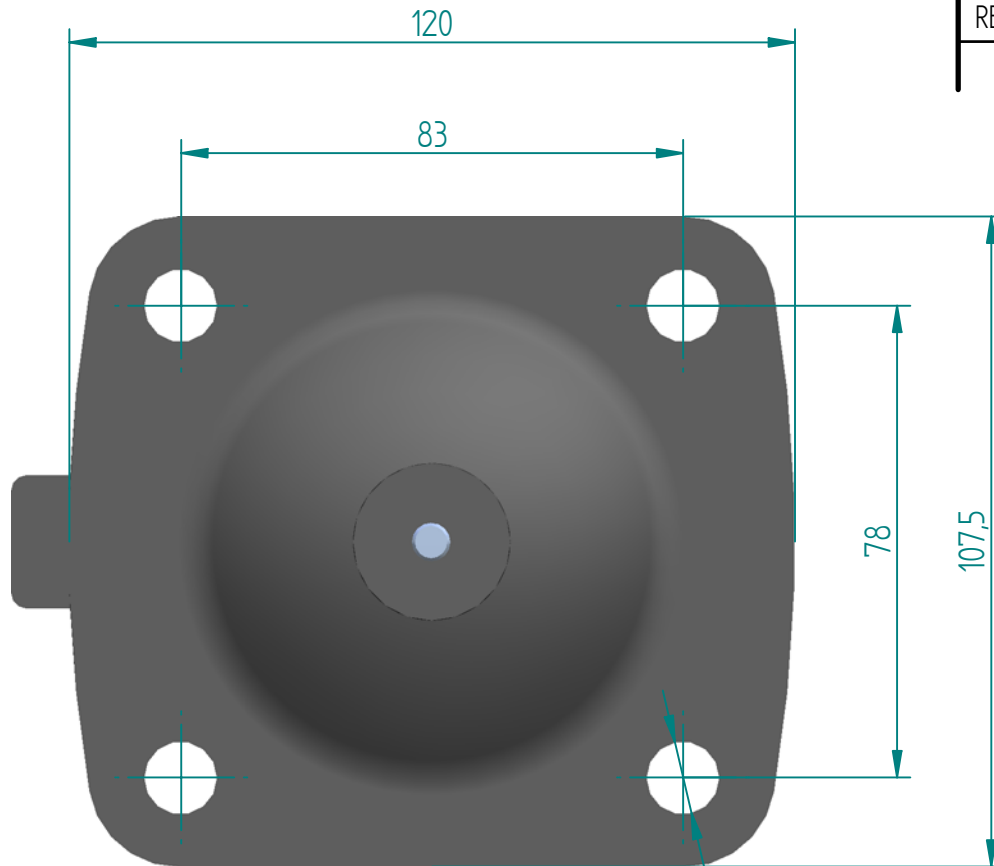
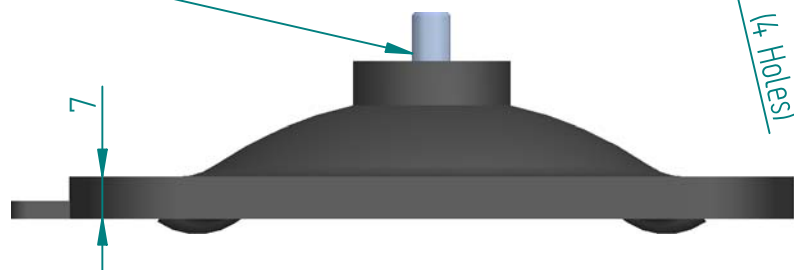


Disclaimer - Diaphragm Direct® does not manufacture, represent, nor sell OEM valves or diaphragms manufactured by any other company. Diaphragm Direct® brand diaphragms are not sponsored by any other manufacturers. Any name, model, part number, brand, image, material or referral is for descriptive purposes only. Diaphragm Direct® brand replacement diaphragms are guaranteed to fit OEM equipment and meet or exceed OEM specifications. Diaphragm Direct® brand replacement diaphragms are covered by the standard Diaphragm Direct® limited product warranty.

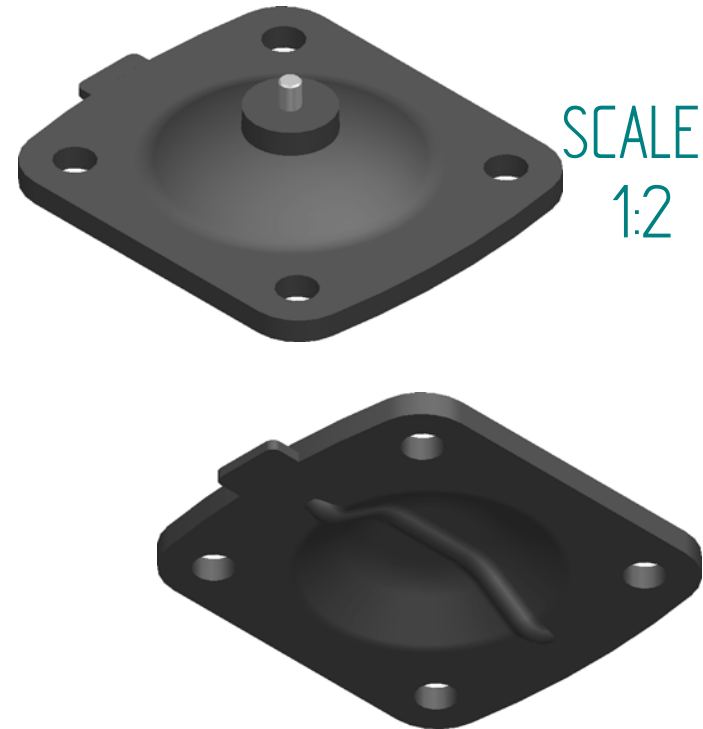


1/4" - Whitworth (INSERT SCREW)



φ 12 (1/4 Holes)

REVISION HISTORY			
REV	DESCRIPTION	DATE	APPROVED



SCALE
1:2

Replacement Diaphragm for :-



Grade : FPM/FKM - FDA

USED ON 2" (DN50) Diaphragm Valve

	NAME	DATE
DRAWN	M.MC KEON	01/21/15
CHECKED		

Material - FPM/FKM

FDA Compliance :
21 CFR 177.2600

 DIAPHRAGM DIRECT®	
TITLE <h1>DD20-SFPM</h1>	
SIZE A	
REV B	
FILE NAME: DD20-SFPM.dft	
SCALE: 1 : 1.25	ECO:0605 SHEET 1 OF 1