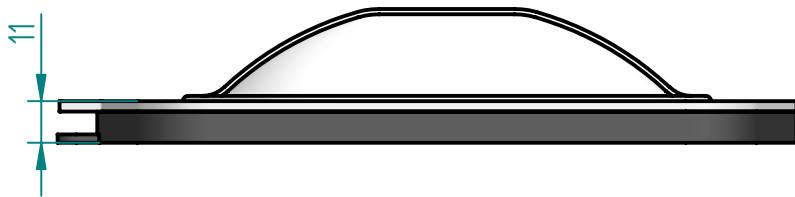
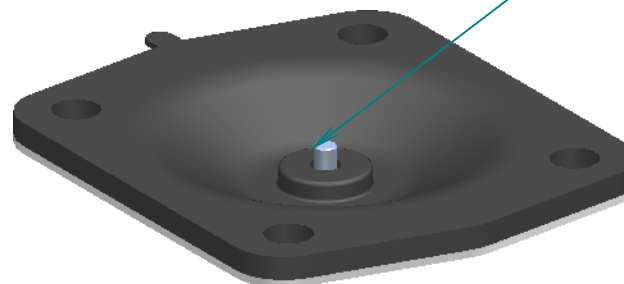


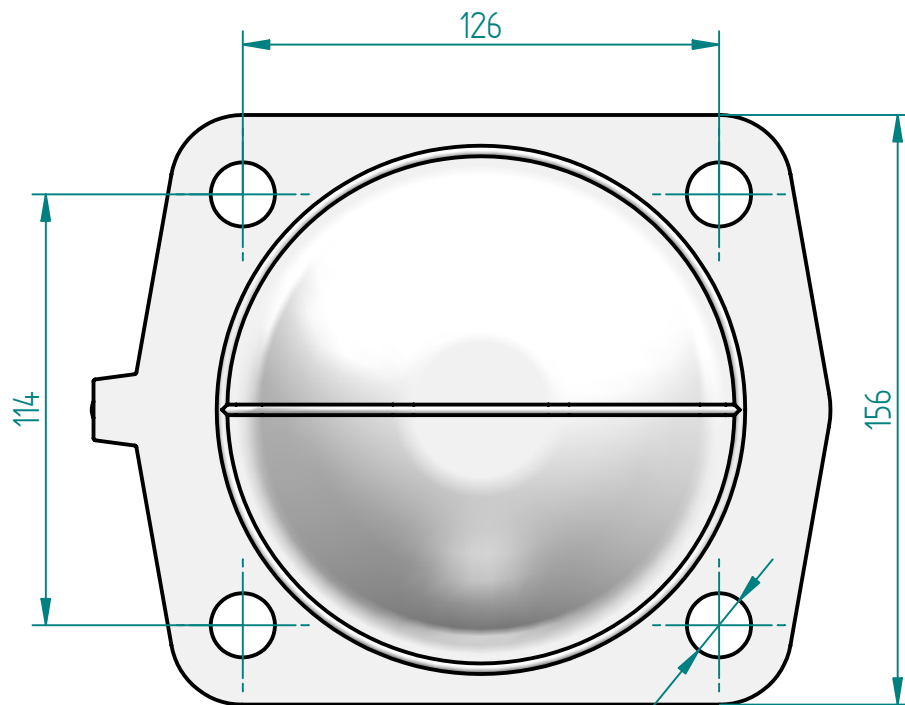
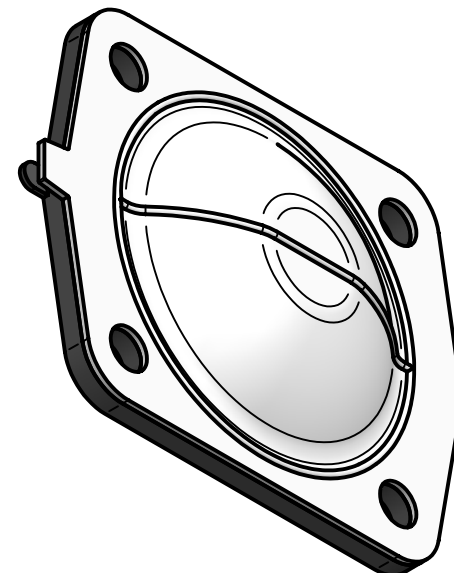
REVISION HISTORY			
REV	DESCRIPTION	DATE	APPROVED



5/16 UNC (Insert Screw)





Scale
1:2.5



Ø 17 (4 Holes)

Replacement Diaphragm for :
 OEM PART = 42182 or 48077
 USED ON 2.5" (DN65) Diaphragm Valves.

	NAME	DATE	 DIAPHRAGM DIRECT
DRAWN	M.MC KEON	08/21/14	
CHECKED			Title DD25-ITFM Same as DD30-ITFM
Material - EPDM BACKING TFM-DIAPHRAGM			SIZE A  REV B
Complies with CFR 177.2600 and Conforms to USP Class VI Biological Reactivity Tests Section #87 and #88			FILE NAME: DD25-ITFM.dft
SCALE: 1:2 (mm)		ECO: 0605	SHEET 1 OF 1

Disclaimer - Diaphragm Direct® does not manufacture, represent, nor sell OEM valves or diaphragms manufactured by any other company. Diaphragm Direct® brand diaphragms are not sponsored by any other manufacturers. Any name, model, part number, brand, image, material or referral is for descriptive purposes only. Diaphragm Direct® brand replacement diaphragms are guaranteed to fit OEM equipment and meet or exceed OEM specifications. Diaphragm Direct® brand replacement diaphragms are covered by the standard Diaphragm Direct® limited product warranty.