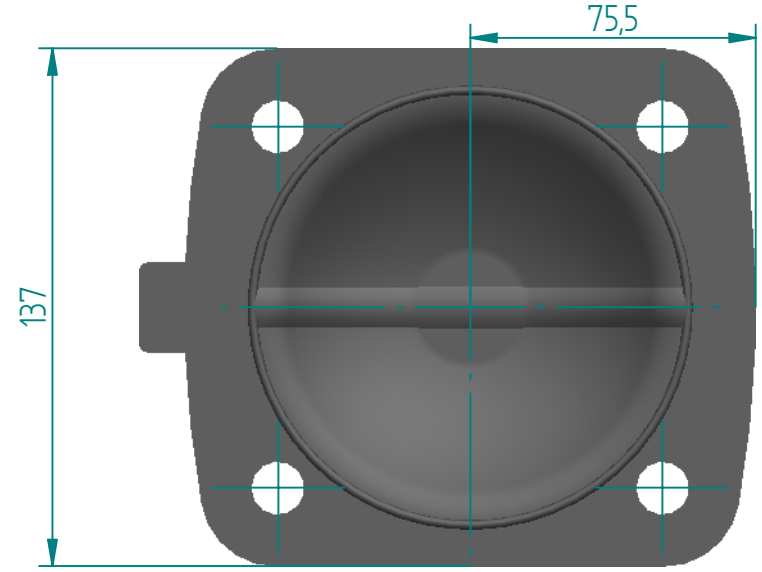
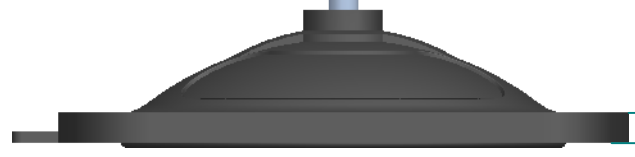
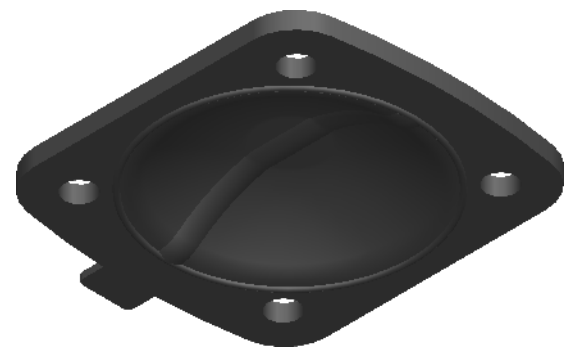
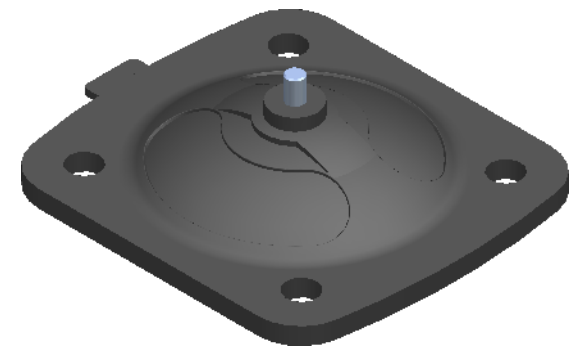


Ø 14 14 Holes!

5/16" - Whitworth (INSERT SCREW)





| REVISION HISTORY | | | |
|------------------|-------------|------|----------|
| REV | DESCRIPTION | DATE | APPROVED |
| | | | |



Scale
1:2.5

Replacement Diaphragm for :-
 OEM PART = 2.500-EF
 USED ON 2.5" (DN65) Diaphragm Valve

| | | | | |
|---|-----------|----------|---|---|
| | NAME | DATE |  DIAPHRAGM DIRECT | |
| DRAWN | M.MC KEON | 08/21/14 | | |
| CHECKED | | | TITLE | |
| Material - EPDM | | | DD25-SE7 | |
| Complies with CFR 177.2600 and Conforms to USP Class VI Biological Reactivity Tests Section #87 and #88 | | | SIZE A |  |
| | | | REV C | |
| | | | FILE NAME: DD25-SE7.dft | |
| SCALE: 1:2 (mm) | | ECO:0605 | SHEET 1 OF 1 | |

Disclaimer - Diaphragm Direct® does not manufacture, represent, nor sell OEM valves or diaphragms manufactured by any other company. Diaphragm Direct® brand diaphragms are not sponsored by any other manufacturers. Any name, model, part number, brand, image, material or referral is for descriptive purposes only. Diaphragm Direct® brand replacement diaphragms are guaranteed to fit OEM equipment and meet or exceed OEM specifications. Diaphragm Direct® brand replacement diaphragms are covered by the standard Diaphragm Direct® limited product warranty.