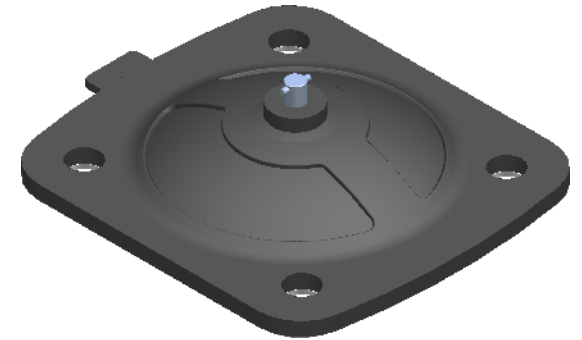
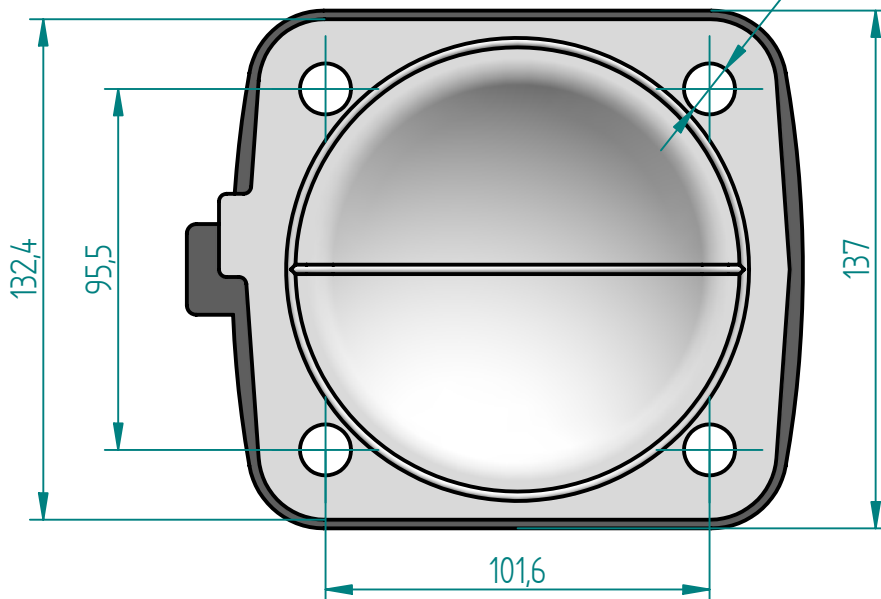
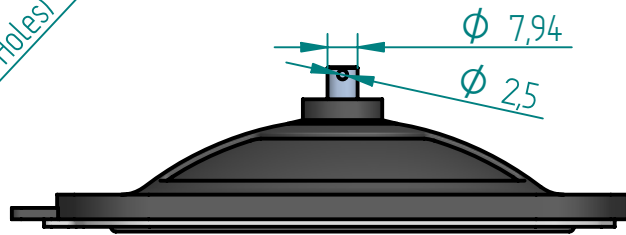
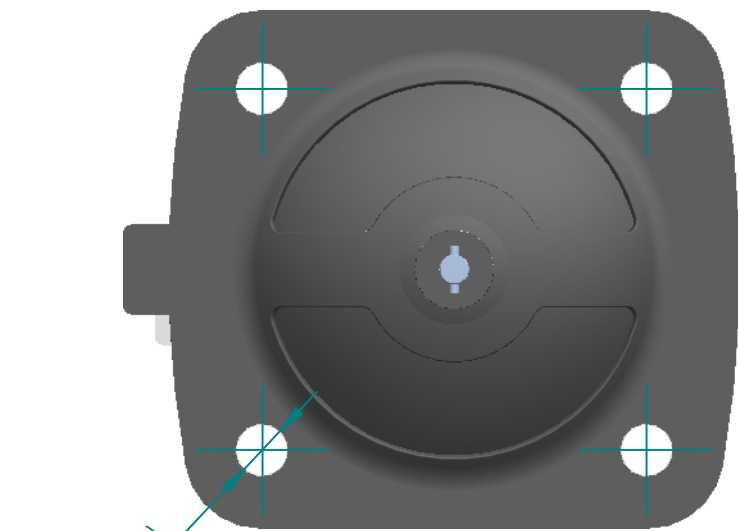


REVISION HISTORY

REV	DESCRIPTION	DATE	APPROVED



Scale  
1:2.5



Replacement Diaphragm for :-

OEM PART = 2.500-P2

USED ON 2.5" (DN65) Diaphragm Valve

	NAME	DATE
DRAWN	M. MC KEON	08/21/14
CHECKED		

**Material -**  
**EPDM BACKING**  
**TFM-DIAPHRAGM**

Complies with CFR 177.2600  
and Conforms to  
USP Class VI Biological Reactivity  
Tests Section #87 and #88



TITLE  
**DD25-STFM**

SIZE A	<b>ROMYNOX</b>	REV C
-----------	----------------	----------

FILE NAME: DD25-STFM.dft

SCALE: 1:2 (mm)	ECC:0605	SHEET 1 OF 1
-----------------	----------	--------------

Disclaimer - Diaphragm Direct® does not manufacture, represent, nor sell OEM valves or diaphragms manufactured by any other company. Diaphragm Direct® brand diaphragms are not sponsored by any other manufacturers. Any name, model, part number, brand, image, material or referral is for descriptive purposes only. Diaphragm Direct® brand replacement diaphragms are guaranteed to fit OEM equipment and meet or exceed OEM specifications. Diaphragm Direct® brand replacement diaphragms are covered by the standard Diaphragm Direct® limited product warranty.