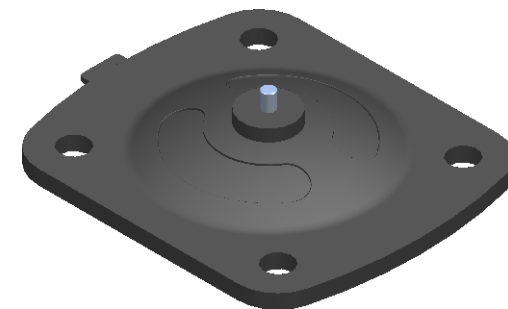
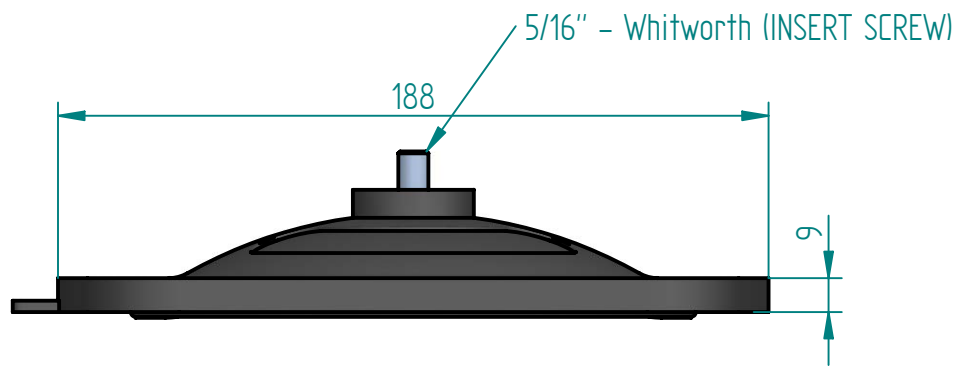
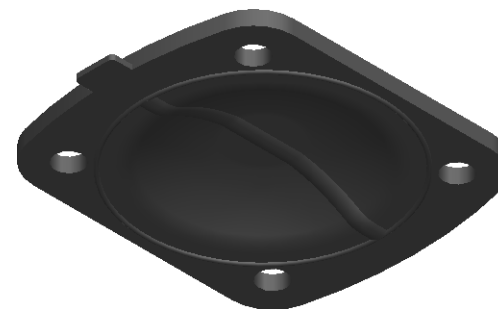
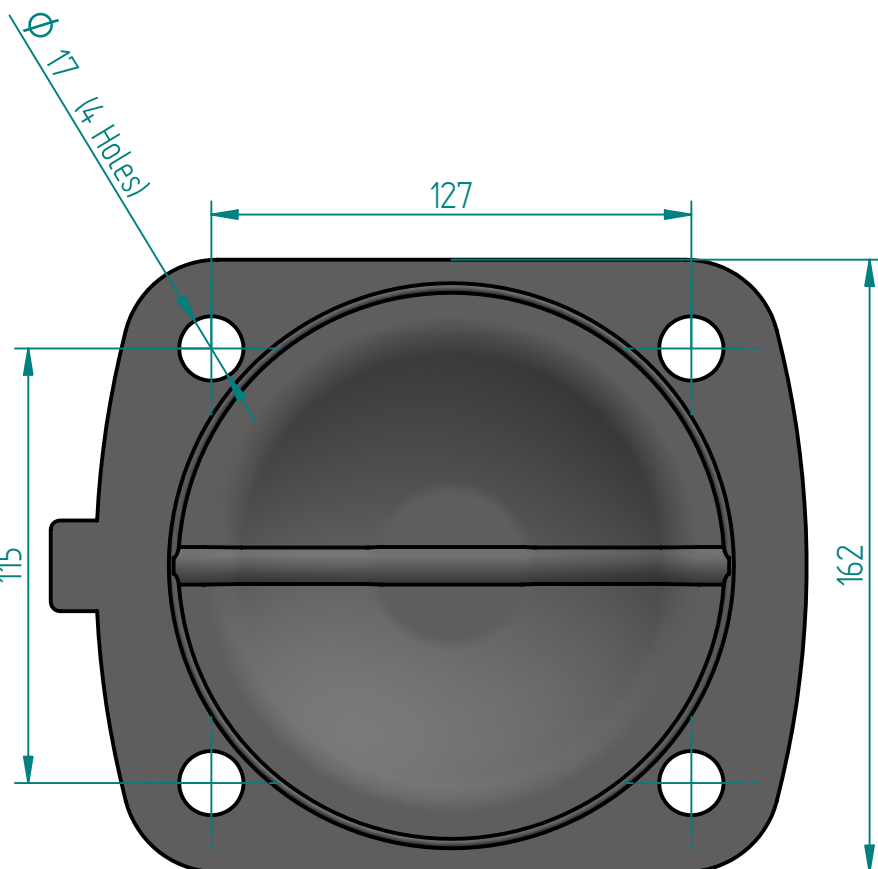


REVISION HISTORY


REV	DESCRIPTION	DATE	APPROVED



Scale  
1:3.33



Replacement Diaphragm for :-  
OEM PART NUMBER = 3.000-EF  
USED ON 3" (DN80) Diaphragm Valve

	NAME	DATE	 <b>DIAPHRAGM DIRECT</b>	
DRAWN	M.MC KEON	08/21/14		
CHECKED			TITLE	
<b>Material - EPDM</b>			DD30-SE7	
Complies with CFR 177.2600 and Conforms to USP Class VI Biological Reactivity Tests Section #87 and #88			SIZE A	REV C
			FILE NAME: DD30-SE7.dft	
SCALE: 1:2 (mm)		ECO:0605	SHEET 1 OF 1	

Disclaimer - Diaphragm Direct® does not manufacture, represent, nor sell OEM valves or diaphragms manufactured by any other company. Diaphragm Direct® brand diaphragms are not sponsored by any other manufacturers. Any name, model, part number, brand, image, material or referral is for descriptive purposes only. Diaphragm Direct® brand replacement diaphragms are guaranteed to fit OEM equipment and meet or exceed OEM specifications. Diaphragm Direct® brand replacement diaphragms are covered by the standard Diaphragm Direct® limited product warranty.