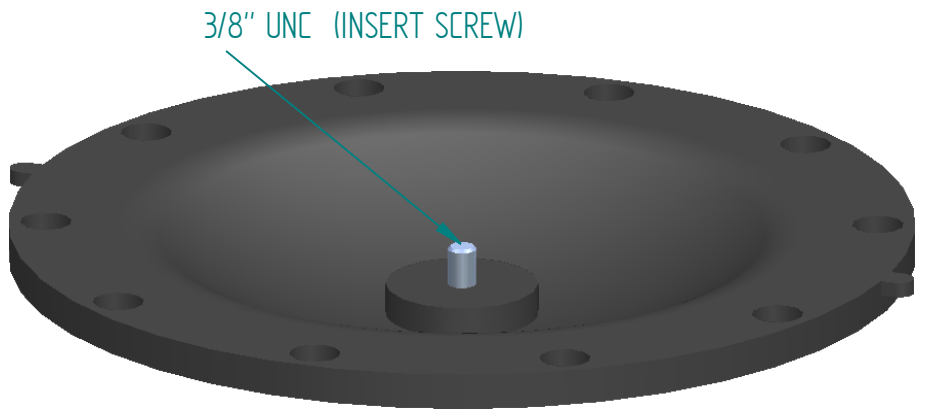


REVISION HISTORY			
REV	DESCRIPTION	DATE	APPROVED



Replacement Diaphragm for :-  
 OEM PART = 43270  
 USED ON 6" (DN150) Diaphragm Valves.

	NAME	DATE		
DRAWN	M.MC KEON	08/21/14	<b>DIAPHRAGM DIRECT</b>	
CHECKED			TITLE <b>DD60-IE7</b>	
<b>Material - EPDM</b> Complies with CFR 177.2600 and Conforms to USP Class VI Biological Reactivity Tests Section #87 and #88			SIZE A	REV C
FILE NAME: DD60-IE7.dft			SCALE: 1:2.5 (mm)	ECO:0605 SHEET 1 OF 1

Disclaimer - Diaphragm Direct® does not manufacture, represent, nor sell OEM valves or diaphragms manufactured by any other company. Diaphragm Direct® brand diaphragms are not sponsored by any other manufacturers. Any name, model, part number, brand, image, material or referral is for descriptive purposes only. Diaphragm Direct® brand replacement diaphragms are guaranteed to fit OEM equipment and meet or exceed OEM specifications. Diaphragm Direct® brand replacement diaphragms are covered by the standard Diaphragm Direct® limited product warranty.