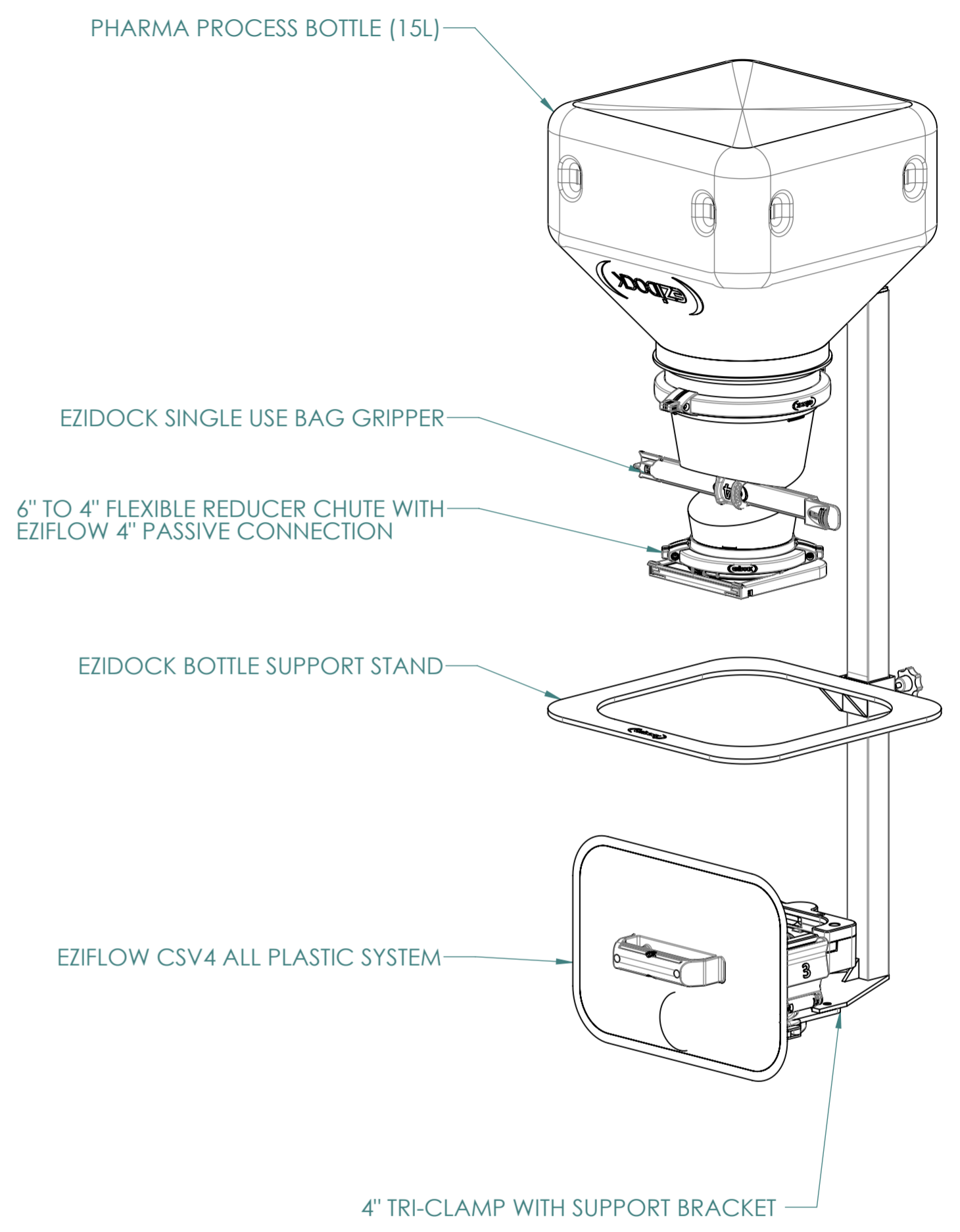
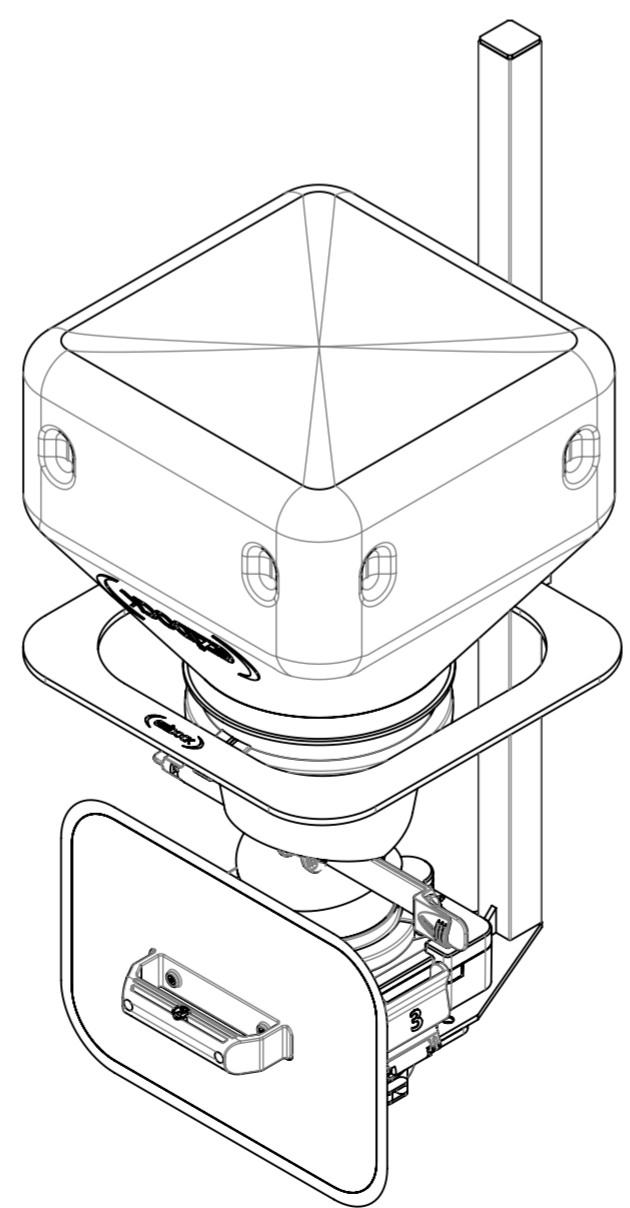
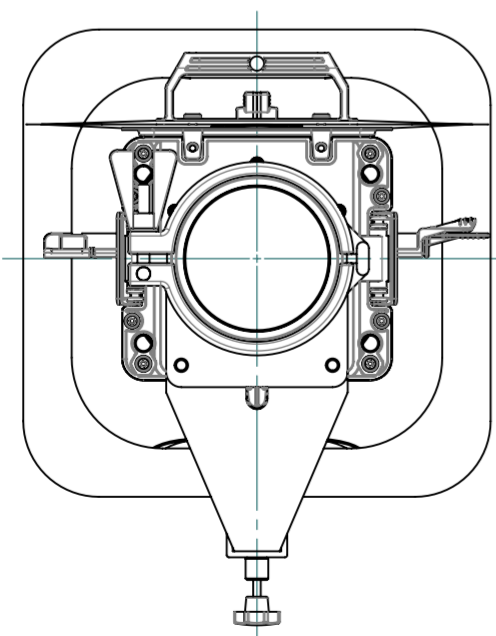
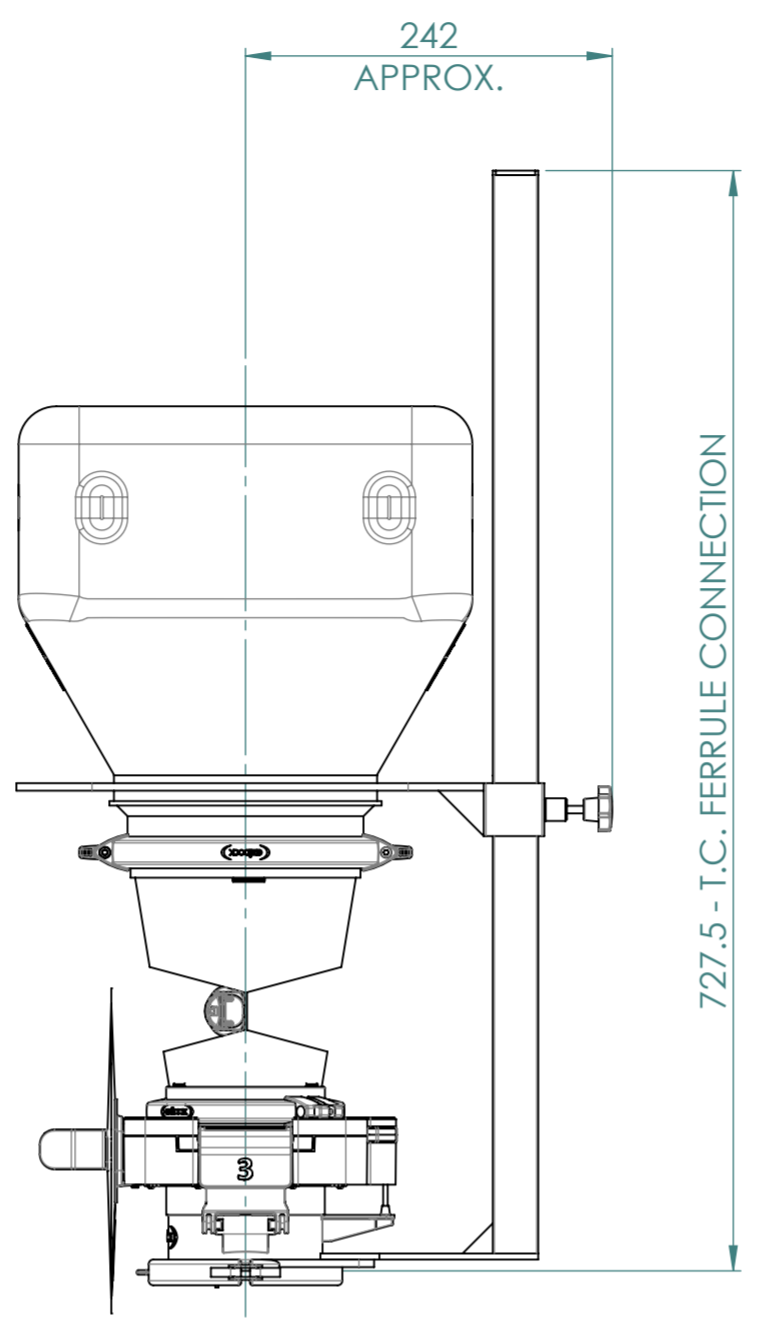
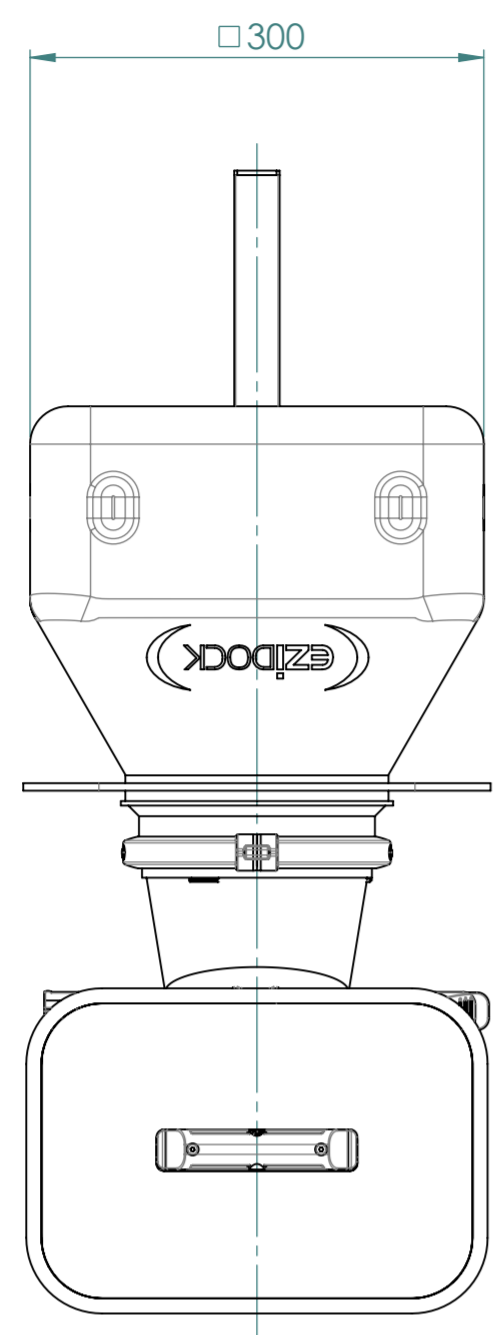


ISSUE	DETAILS	DCN	SIG.	DATE
1	RELEASED		AS	28.6.16



		Unit 3, Park Court Park Lane Business Park Kirby-in-Ashfield Nottinghamshire NG17 9LE TEL: +44(0) 870 0410326 FAX: +44(0) 870 7627041 Email: info@ezidock.com www.ezidock.com		This drawing is the property of Ezi-Dock Systems Ltd. The design and the details hereon are confidential and must not be copied, reproduced or passed to any third party except with the written permission of Ezi-Dock Systems Ltd	
THIRD ANGLE PROJECTION	IN ACCORDANCE WITH BS8888:2008	DRAWN AS	DATE 28.6.16	TITLE <b>EZIFLOW CSV4 INSTALLATION DETAIL WITH BOTTLE STAND</b>	
ASSOCIATED 3D MODEL: 100950-000 iss1		CHECKED	DATE	FINISH	
TOLERANCES UNLESS OTHERWISE STATED LINEAR X = ±0.50mm .X = ±0.25mm .XX = ±0.10mm ANGULAR ±1° 3D GEOMETRY ±0.25mm ALL DIMENSIONS IN MILLIMETERS		SCALE 1:5	DO NOT SCALE	COLOUR	DWG No. 100950-000
				ISSUE 1	