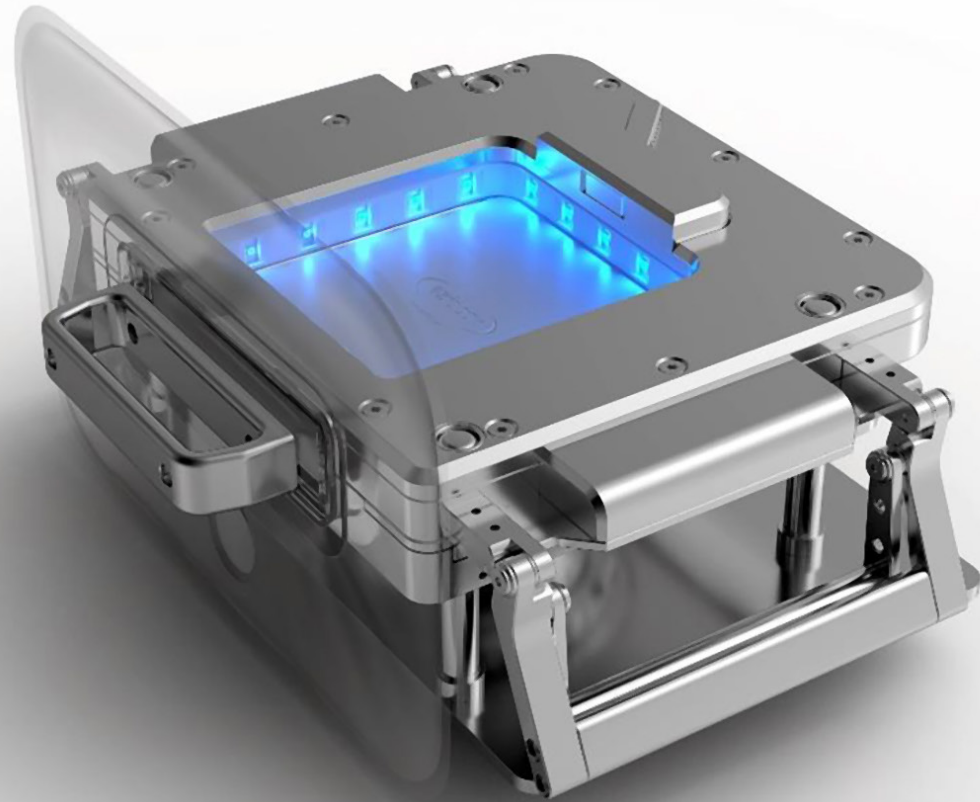
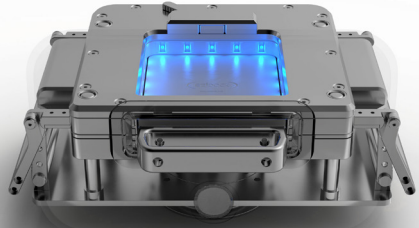


EZI-FLOW CSV4 - UVC ASEPTIC SYSTEM

MAY 2019

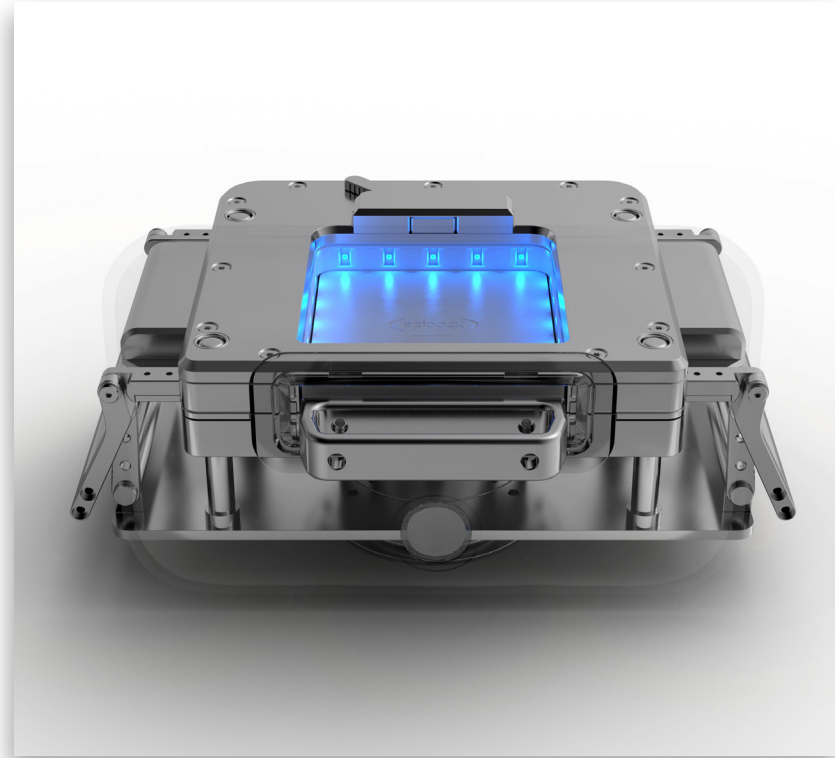


**Gamma sterilized
filled charge bag ready to
be discharged on the system**

1

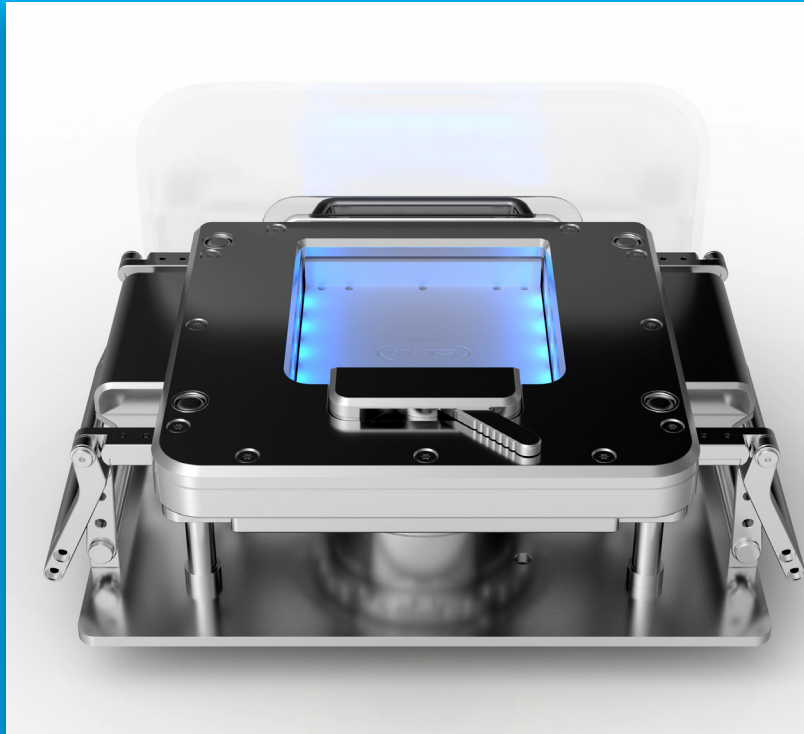


Full Active System



Full Active System

2

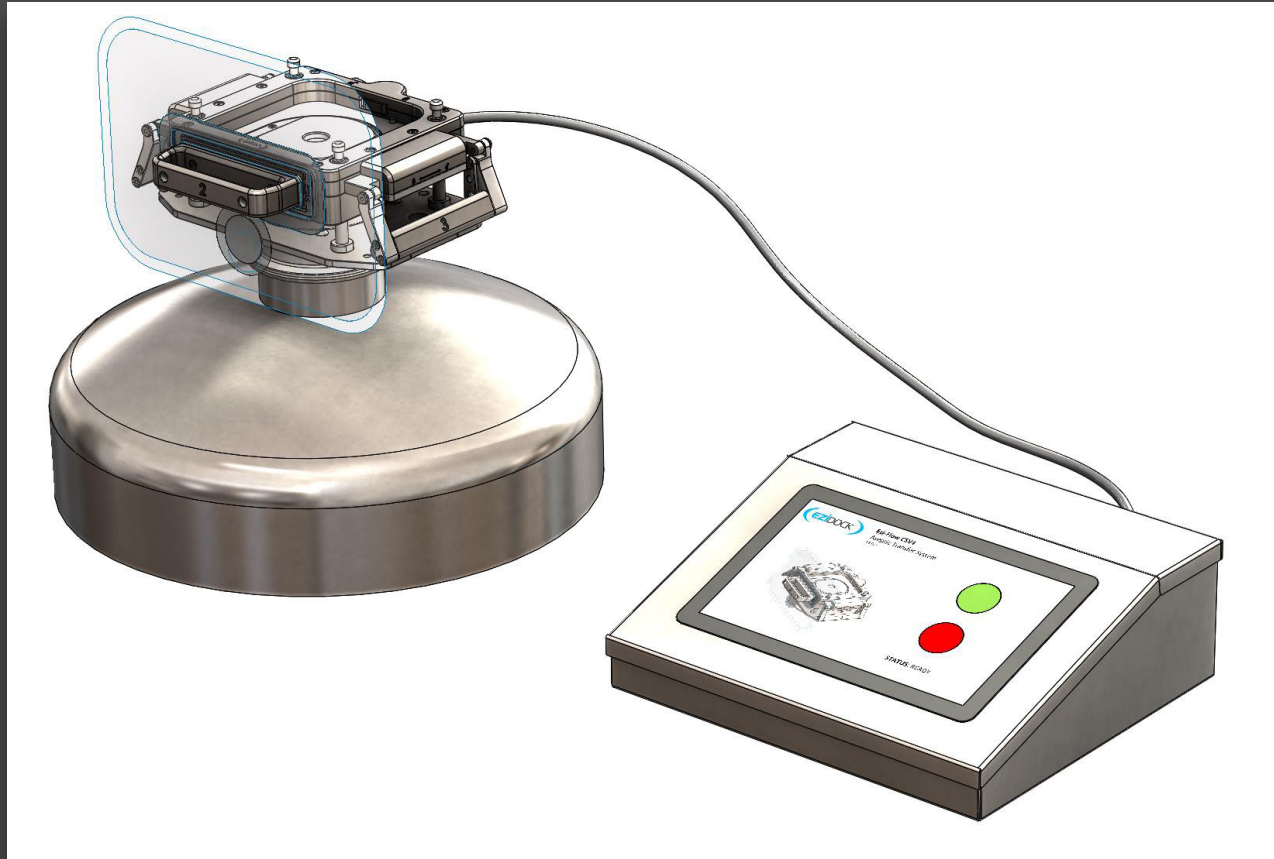


Full Active System



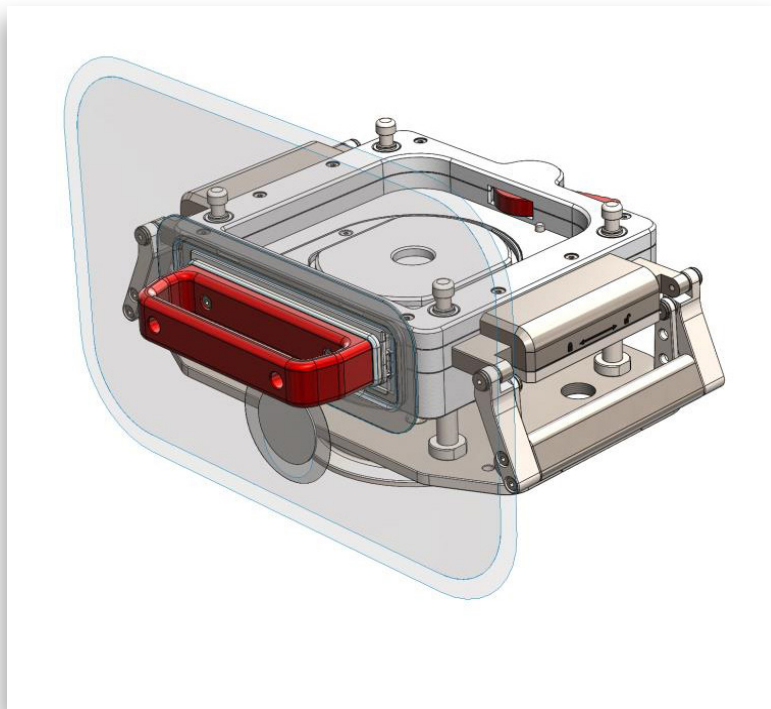
Full Active System

3

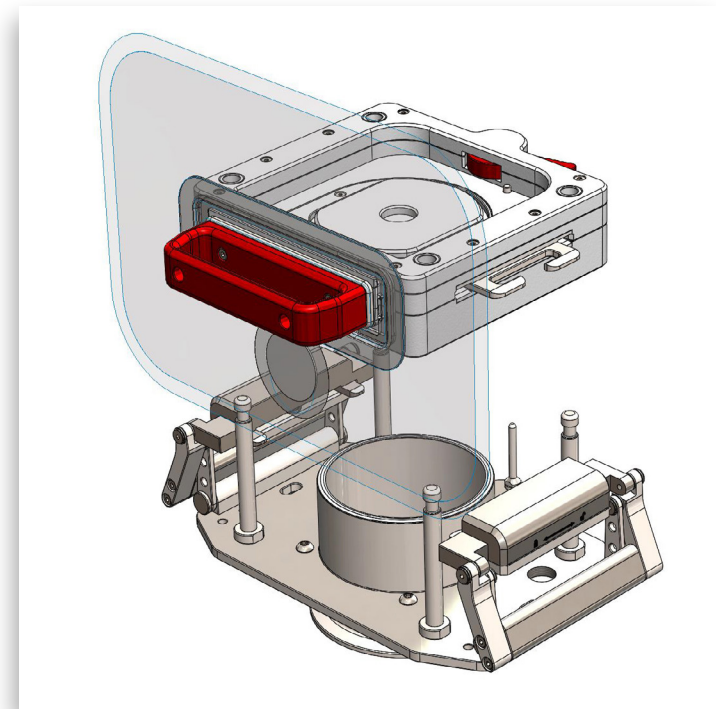


Active Cassette Detail

4



UV-C Active Cassette attached to an Ezi-Flow CSV4
Stainless Steel mounting plate

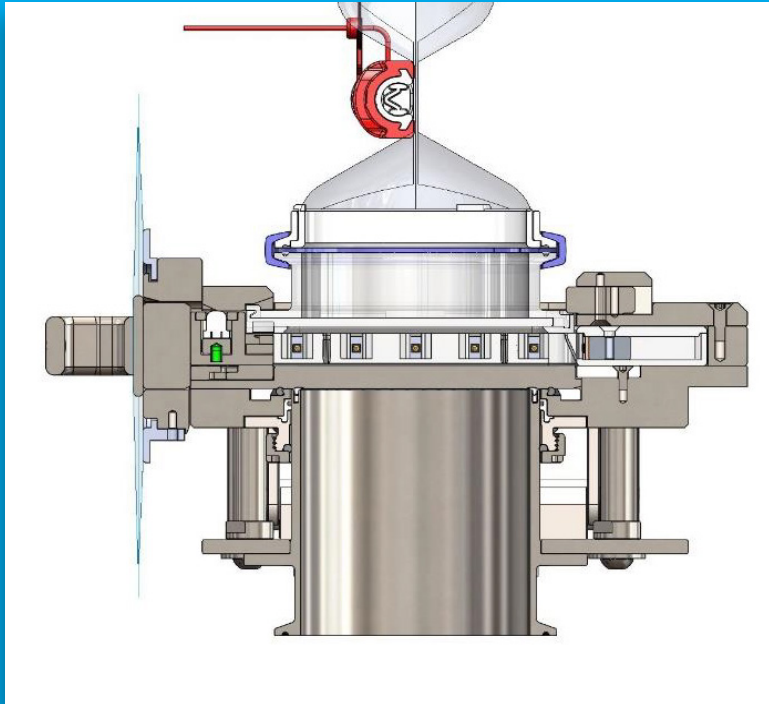


UV-C Active Cassette removed

EziFlow chargebag with passive is docked into position. This releases a mechanical interlock and signals the control unit that the system is prepared and ready for the first cleanse cycle.

This first stage cleans the base of the Passive Bag and Active Slider parts to LOG6*.
Estimated cleanse time – approx. 2 minutes*.

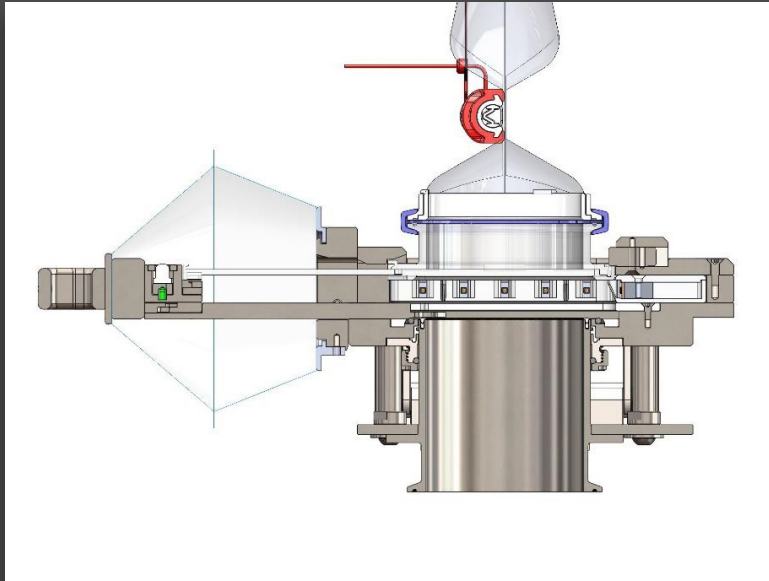
5



Upon completion of the first clean cycle, the active slider is withdrawn from the system. This exposes contact faces of the passive and active spigot seal and begins the second cleanse cycle.

The second cleaning cycle takes place to LOG6

6



Toggle levers on either side of the active system are raised. This creates the sealed connection between the EziFlow chargebag.

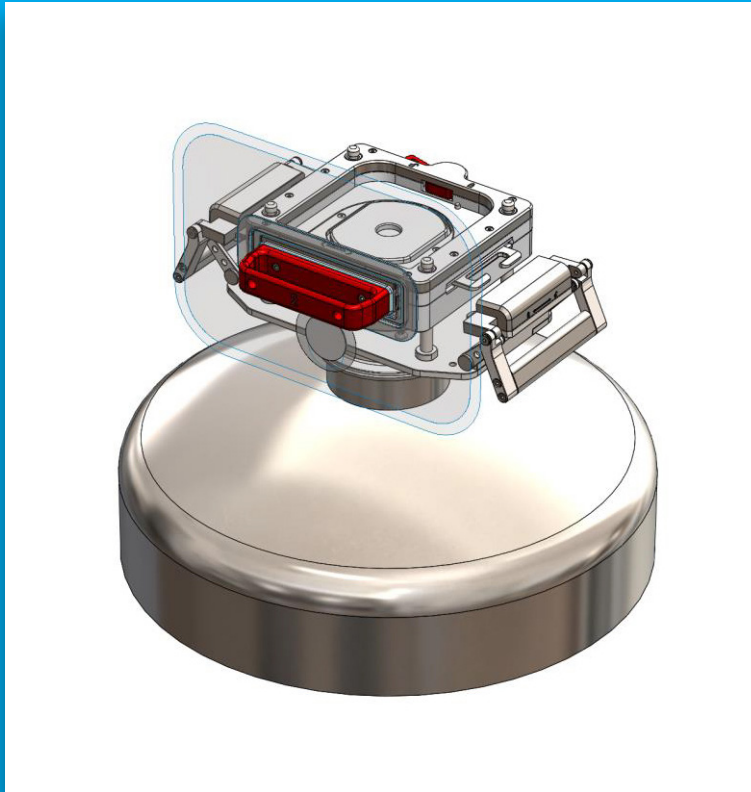
7



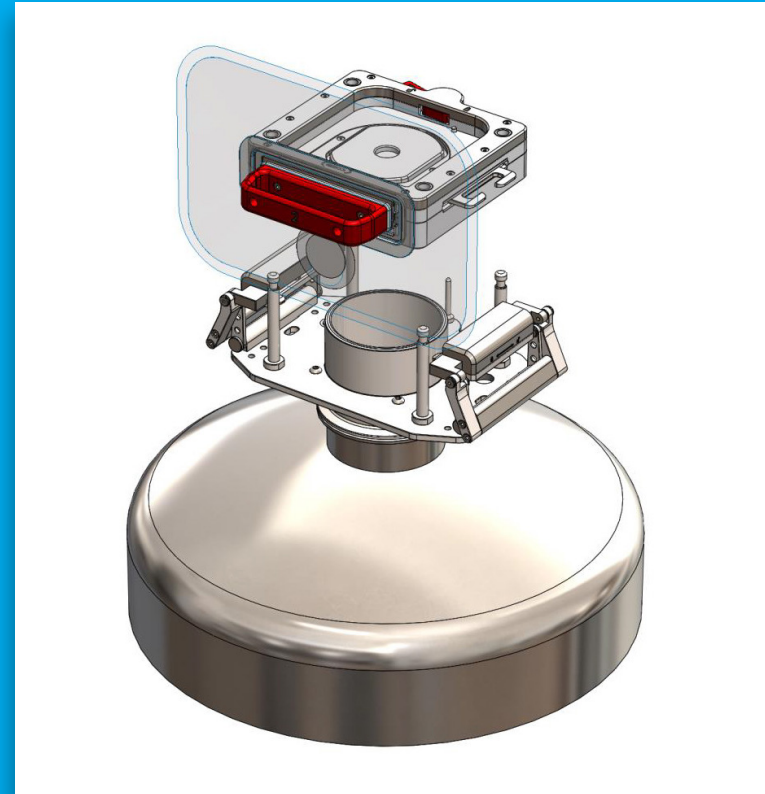
Electronic sensors within the cassette monitor the status of the active system and feed information back to the control panel informing the operator that the system is ready. This is the the final stage in preparing the system for product transfer.

After the production campaign has been completed the UVC Cassette can be removed from the mounting plate and vessel prepared for cleaning

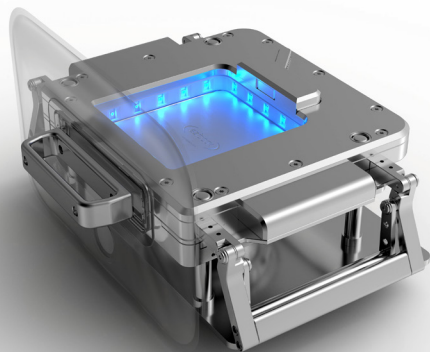
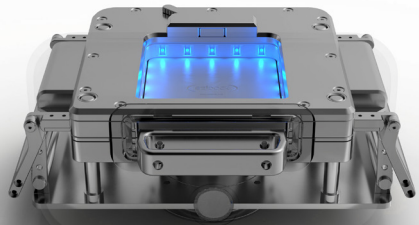
8



Toggle assemblies released



UV-C Cassette removed



FEATURES OF THE UVC ASEPTIC SYSTEM

- Ezi-Flow High Containment Transfer System utilises the latest UVC Technology to STERILISE THE DEVICE TO LOG6* in approx. 5 minutes
- Sterilisation is SIMPLE, SAFE, RAPID and ECONOMICAL to implement and use.
- By utilising the Ezi-Flow UVC System, it will substantially reduce operating costs over the existing VHP/Steam systems, which are expensive and difficult to validate, operate and maintain.
- All of the sterilisation process is carried out at the CSV-UVC Active port
- Ezi-Flow UVC is FULL BORE, so ideal for charging Powders, Stoppers, Vials and Tube sets into Isolators or Packaging Lines.
- Operators can charge any quantities of bags, quickly and efficiently.
- Ezi-Flow system is extremely versatile, compact and is quickly and easily fitted onto any type of process equipment.



*: LOG6 sterilisation achieved with E.coli