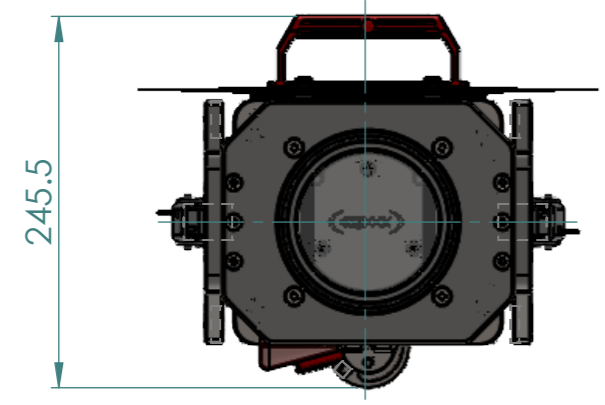
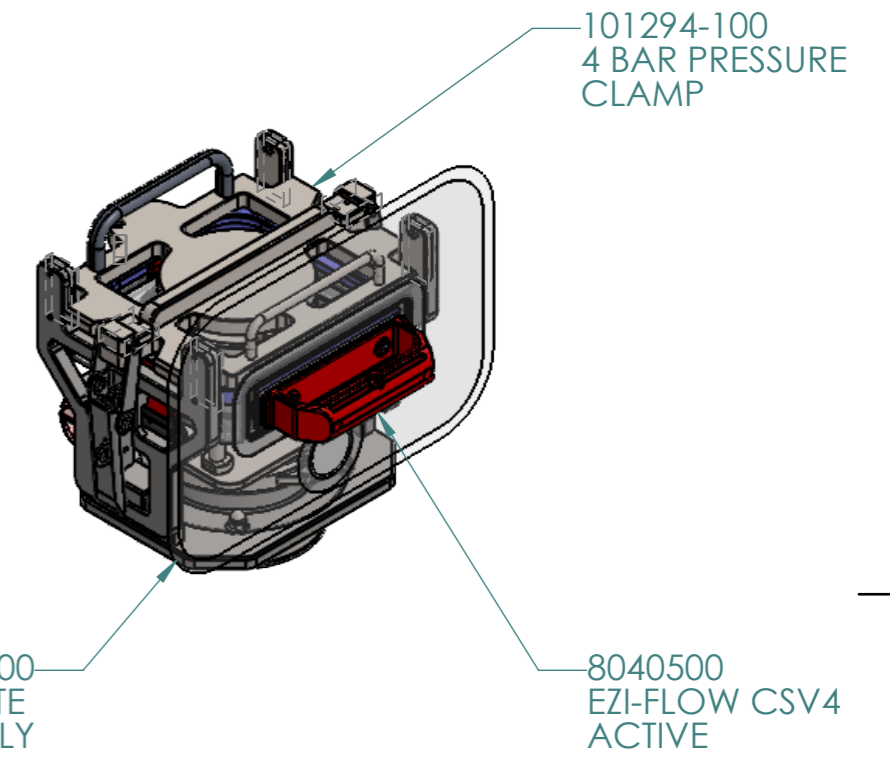
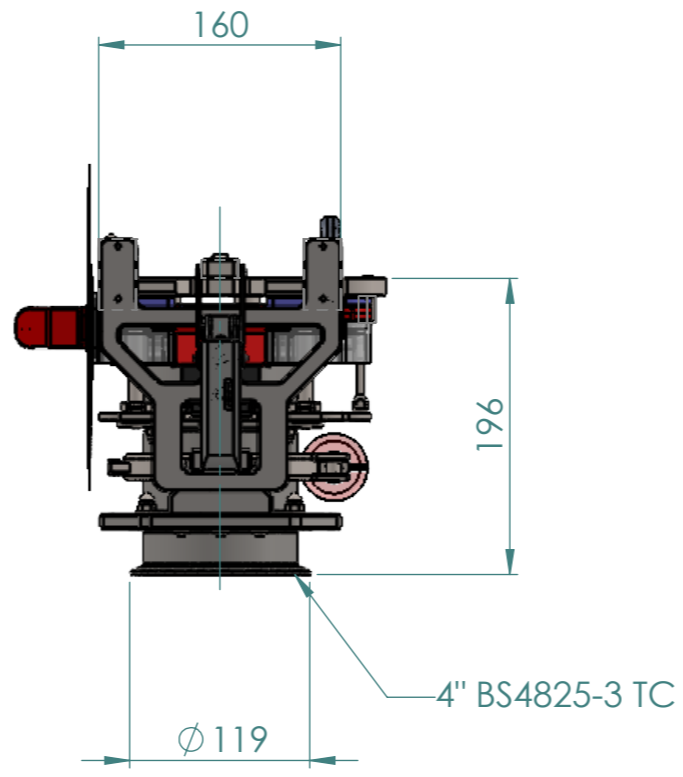
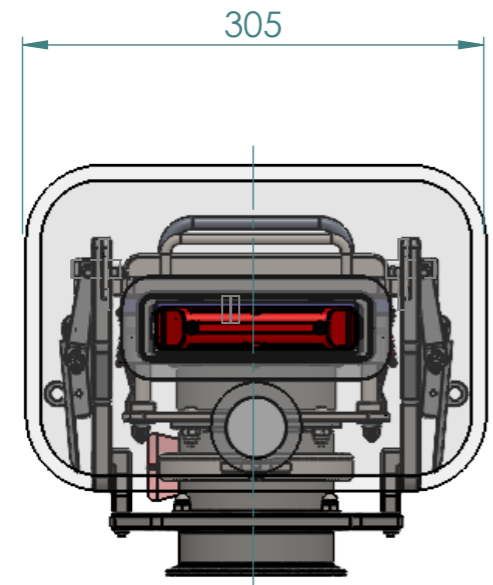

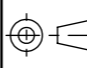


ISSUE	DETAILS	DCN	SIG.	DATE
1	RELEASED		CG	23/12/22



		Unit 4B, Park Court Park Lane Business Park Kirkby-in-Ashfield Nottinghamshire NG17 9GU TEL +44(0) 1623 888000 Email: info@ezidock.com www.ezidock.com			This drawing is the property of Ezi-Dock Systems Ltd. The design and the details hereon are confidential and must not be copied, reproduced or passed to any third party except with the written permission of Ezi-Dock Systems Ltd	
 THIRD ANGLE PROJECTION	IN ACCORDANCE WITH BS8888:2008	DRAWN CG	DATE 23/12/2022	MATERIAL N/A	TITLE <b>4 BAR PRESSURE CLAMP FITTED TO CSV4 ACTIVE CASSETTE</b>	
ASSOCIATED 3D MODEL: 101294-000 iss1		CHECKED JP	DATE 23/12/2022	FINISH N/A		
TOLERANCES UNLESS OTHERWISE STATED LINEAR X. = ±0.50mm .X = ±0.25mm .XX = ±0.10mm ALL DIMENSIONS IN MILLIMETERS		ANGULAR ±1°	3D GEOMETRY ±0.25mm	SCALE 1:5	DO NOT SCALE	COLOUR N/A
					DWG No. 101294-000	ISSUE <b>1</b>