

DATASHEET



Male bearing, KM1-MB-ZrO2

The male bearing is designed with a stainless steel holder and a ceramic bearing in Zirconium oxide

Male bearing

Copyright © Kest Technology 2009

All rights reserved.

Instruction is subject to change without notice.

Edition: KEST-KM1MBDS-2009-00



Male bearing KM1-MB-ZrO₂, general info

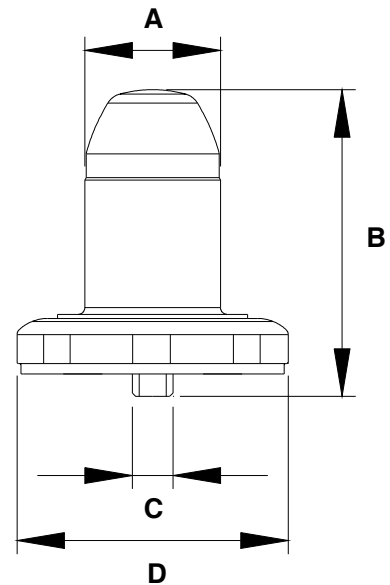
RX-CODE

MKF30DZ-E-----

Novaseptic GMP 5000
Novaseptic GMP 10000
Novaseptic GMP 20000
KM1-MBF30-Zr

General Measurements [mm]

A	[Bearing diameter]	30
B	[Height]	65
C	[Thread dimension]	M12
D	[Foot grip]	51,5



RX-CODE

MKF20CZ-E-----

Novaseptic GMP 2000
KM1-MB20-Zr-M10

General Measurements [mm]

A	[Bearing diameter]	20
B	[Height]	41
C	[Thread dimension]	M10
D	[Foot grip]	39

RX-CODE

MKF16AZ-E-----

Novaseptic GMP 100
KM1-MB16-Zr

General Measurements [mm]

A	[Bearing diameter]	16
B	[Height]	36
C	[Thread dimension]	M6
D	[Foot grip]	26

RX-CODE

MKF20BZ-E-----

Novaseptic GMP 500
Novaseptic GMP 1000
KM1-MB20-Zr

General Measurements [mm]

A	[Bearing diameter]	20
B	[Height]	41
C	[Thread dimension]	M6
D	[Foot grip]	39

RX-CODE

MKF12AZ-E-----

Novaseptic GMP 50
KM1-MB12-Zr

General Measurements [mm]

A	[Bearing diameter]	12
B	[Height]	29
C	[Thread dimension]	M6
D	[Foot grip]	26

Male bearing KM1-MB-ZrO₂, general info



RX-CODE
MKF30DZ-E-----

Novaseptic GMP 5000
Novaseptic GMP 10000
Novaseptic GMP 20000
KM1-MBF30-Zr

RX-CODE
MKF20CZ-E-----

Novaseptic GMP 2000
KM1-MB20-Zr-M10

RX-CODE
MKF16AZ-E-----

Novaseptic GMP 100
KM1-MB16-Zr

RX-CODE
MKF20BZ-E-----

Novaseptic GMP 500
Novaseptic GMP 1000
KM1-MB20-Zr



RX-CODE
MKF12AZ-E-----

Novaseptic GMP 50
KM1-MB12-Zr

Mechanical Specifications

	Foot and top	Ceram
Material grade	EN 1.4435/ASTM 316L,	Zirconium Oxide (ZrO ₂)
Material requirement	EN 10 272/10028-7, A479/A240 or SA479 SA240	
Documentation	Heat Certificate 3.1 acc. to EN 10 204 for stainless steel parts Conformity certificate 2.1 on ceram and o-ring	
Surface finish	Ra ≤ 0.5 μm on surfaces in product contact	
Design Temperature	[0°C to +135°C] [+32°F to +275°F]	
Design Pressure	[-1 bar(g) to + 7 bar(g)] [-14.5 psi to +101.5 psi]	
pH range	1-14	
Marking	Each bearing is marked with material grade and id no	
Packing	Each item is sealed in vacuum plastic bag, labelled with art. number and packed in a box	
Male bearing sealing	EPDM or Silicone, approved acc. FDA regulation CFR 177.2600, USP Class VI	
Quality Assurance	Each product is controlled and tested acc. to Kest Technology quality assurance system	
Article no	KM1-MB-NA-510/25	