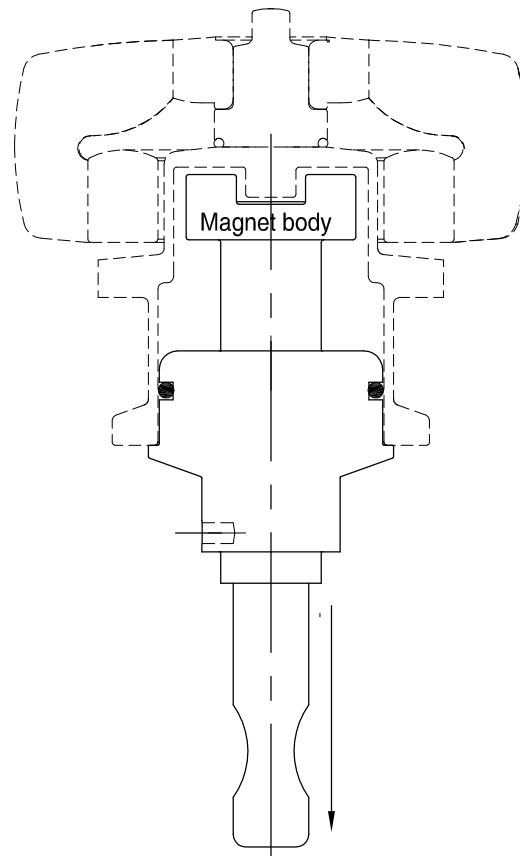
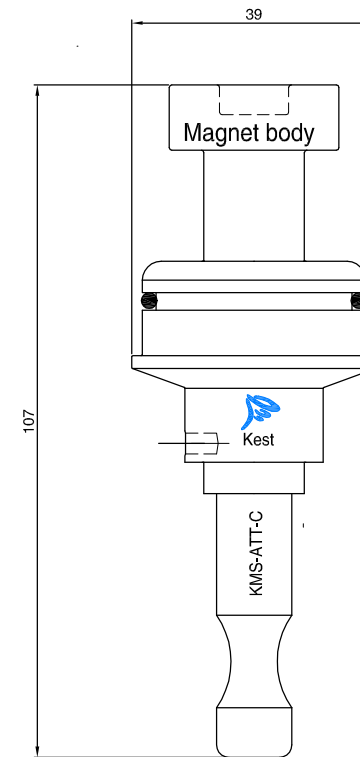


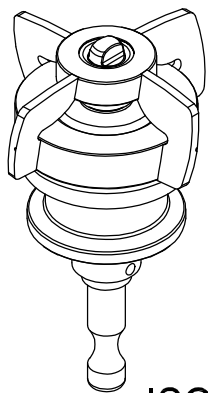
Assembly view showing attractor mounted into tankplate



View showing attractor mounted, semi-section view A-A



View of attractor



ISO-View

This drawing is Kest Technology AB property. It may not be copied, shown, exhibited or surrendered in part or in full to any competitor or other unauthorized persons without our consent in writing. Legal actions will be taken against any party violating these provisions.								
View: 	General Tolerances: ISO 2768 -mK	Scale: 1:1	Created By: PrS	Created Date: 2012-04-10	Checked By: -	Approved By: PrS	Approval Date: 2010-04-10	
Product Group: Kest-Mixer		Title: KMS 0/3 Attractor Material: Stainless Steel Autoclavable For Kest-Mixer KMS-0/3			Art. No. KMS-ATT-C		3D file name N/A	
					Dwg No. KMS-ATT-C-CD		Revision: -	