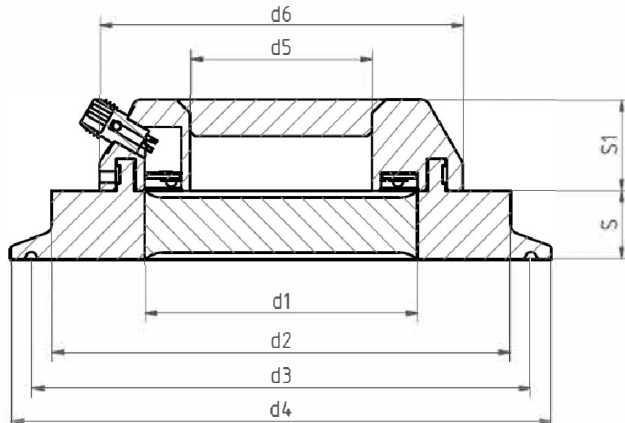


Metaclamp® sanitary Metaclamp & Luminaire SGL



For

- Clamp fitting to  
DIN 326767 / ISO 2582 /BS4825

Advantages

- Space-saving application for viewing and illumination
- Sanitary design
- Safety against total failure
- Easy installation
- Long operating time

Material certificates

- Certificate of Conformity to  
EN 10204-3.1 or 3.2

Technical datas for luminaire

- Evenly, glare, contrasty illumination of agitators, tanks, vessels, pipes in nonhazardous areas
- Very compact, easy to clean design
- Body: 1.4404, polished
- Light color: white (WS)
- Voltage: 24VDC (+-10%)
- Light flux: 266 lm
- Current, continuously: 100mA
- Ambient temperature: 0°C to 50°C
- Protection class: IP68
- UL-compliant

Technical datas of sight glass

- Pressure equipment directive 2014/68/EU, AD 2000, DIN 7079
- Materials according to VdTÜV and the intended DIN/EN standards
- Glass: Borosilicate glass according to DIN 7080 / DIN 7079

Ring materials	Operating temperature
1.4462	-30°C to +280°C
2.4602	-60°C to +280°C
2.4605	-60°C to +280°C
2.4610	-60°C to +280°C

Luminaire	d5	d6	S1	Power
SGL80	40	40	40	40
SGL95	55	55	55	55
SGL110	70	70	70	70

Nominal Size			d4	d2	d1	d3	S	max operating Pressure	Luminaire
DIN	ISO	ASME BPE							
100	-	4"	119	101	60	110,0	12	10	SGL80
-	100	4½"	130	114	60	122,0	16	10	SGL80
-	-	5"	144,5	127	60	134,5	16	10	SGL80
125	-	5½"	155	138	70	146,0	16	6	SGL80 or SGL95
-	-	6"	167	152	75	156,5	16	6	SGL80 or SGL95
150	150	-	183	160	80	174,3	16	6	SGL95 or SGL110
-	-	8"	217,5	198	90	207,4	18	6	SGL110
200	200	-	233,5	210	90	225,1	18	6	SGL110