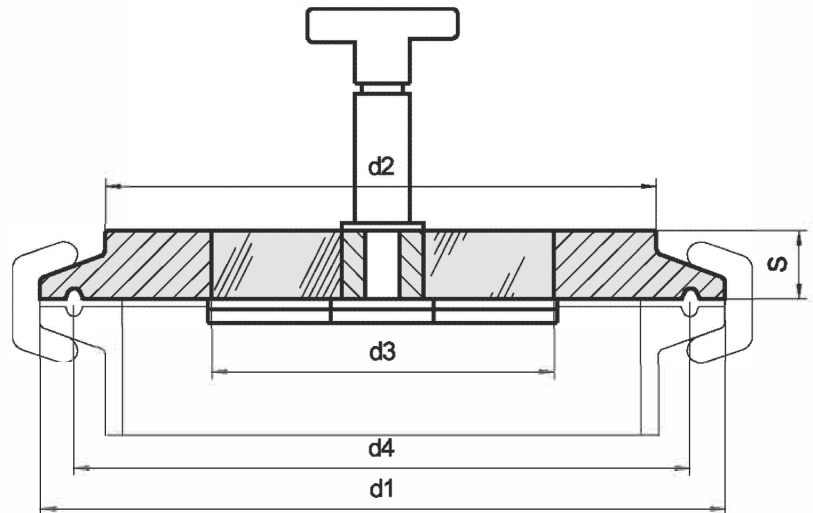


METACLAMP® with Wiper for Triclamp Fitting
Borosilicate Glass



Applications

- For clamp fittings to
DIN 32 676 / ISO 2852

Advantages

- Extremely compact construction
- Reliability against total failure – the possibility of sudden unexpected rupture is totally excluded
- Fast & simple installation & maintenance
- Long working time

Operating conditions

- Pressure: -1 to 10 bar
- Temperature: up to 150°C

Technical data

Manufactured and tested to:

- Directive for pressure equipment 2014/68/EU, Module H (DIN/EN/ISO 9001)
- AD2000 Standards W0/TRD 100
- Sight glass fused to metal conforming to DIN 7079
- Materials to VdTÜV specifications and the DIN/EN designated standards
- Glass: Borosilicate to DIN 7080 / DIN 7079

Materials

- Ring: Duplex stainless steel 1.4462, Hastelloy C-22
- Glass: Borosilicate to DIN 7080
- Fused Bush: Alloy 36 (DIN 1.3912)

Material certificates

- Certificate of Conformity to EN 10204-3.1 or 3.2 for extra costs

Accessories

Wiper

- Wiper blade: PTFE or Silicone-rubber
- Contact metal parts stainless steel: V4A

Nominal size			d1	d2	d3	d4	S	Max operating pressure [bar]
DIN	ISO	ASME BPE						
65	65	3"	91	76	50	83,5	10	10
80	80	3½"	106	90	50	97,0	12	10
100	–	4"	119	101	55	110,0	12	10
–	–	6"	167	152	80	156,5	16	6
150	150	–	183	160	80	174,3	16	6
–	–	8"	217,5	198	100	207,4	18	6
200	200	–	233,5	210	110	225,1	20	6
–	–	10"	268	245	130	257,8	20	6
250	–	–	287,5	266	140	278,4	22	6
–	–	12"	319,3	300	140	309,1	22	6
300	300	–	338,3	316	140	328,4	22	6