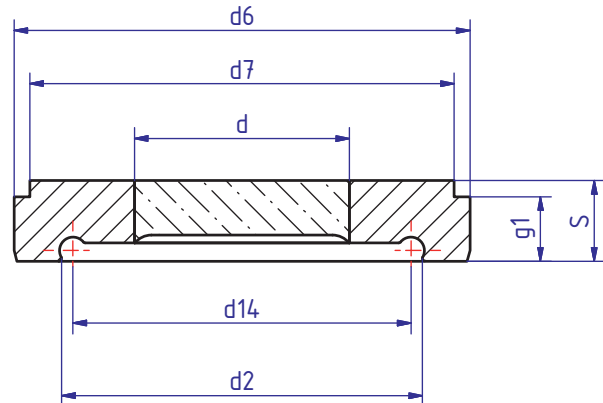
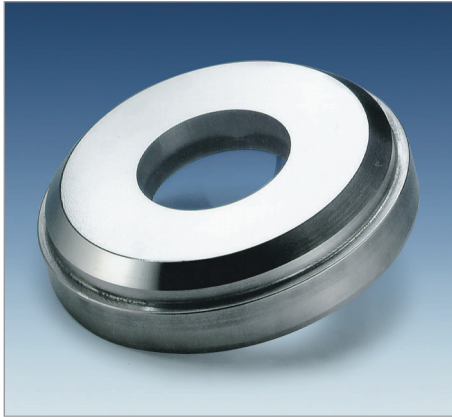


METAGLAS® Sight glass Discs for Aseptic Screwed Pipe Connection DIN 11864-1



**Applications**

- Aseptic screwed pipe connection  
DIN 11864-1

**Material certificates**

- Certificate of Conformity  
EN 10204 – 3.1 or 3.2 for extra costs

**Operating conditions**

- Pressure: 25 bar
- Temperature: see table

**Ring**

**materials Temperature (TS)**

|        |                  |
|--------|------------------|
| 1.4462 | -30°C bis +280°C |
| 2.4602 | -60°C bis +300°C |
| 2.4605 | -60°C bis +300°C |
| 2.4610 | -60°C bis +300°C |

**Technical data Manufactured and tested to:**

- Directive for pressure equipment 2014/68/EU, Module H (DIN/EN/ISO 9001)
- AD2000 Standards W0/TRD 100
- Sight glass fused to metal conforming to DIN 7079
- Materials to VdTÜV specifications and the DIN/EN designated standards
- Glass: Borosilicate to DIN 7080 / DIN 7079

**Advantages**

- Security against total failure
- Easy cleaning – gap can be checked
- Flush Glass/metal joint to atmospheric side
- Suitable for CIP and SIP cleaning
- Maximum visual aperture

| Nominal size DN       |                      |                                 | max. operating pressure [bar] | d6    | d  | d14    | d7  | d2     | g1 | S  | O –Ring  |
|-----------------------|----------------------|---------------------------------|-------------------------------|-------|----|--------|-----|--------|----|----|----------|
| Series A<br>DIN 11850 | Series B<br>ISO 1127 | Series C<br>ISO 2037<br>BS 4825 |                               |       |    |        |     |        |    |    |          |
| 20                    | –                    | –                               | 25                            | 35,9  | 17 | 24,9   | 30  | 27,97  | 7  | 11 | 22 x 3,5 |
| 25                    | –                    | –                               | 25                            | 42,9  | 20 | 30,9   | 35  | 33,97  | 9  | 12 | 28 x 3,5 |
| –                     | 33,7                 | –                               | 25                            | 48,9  | 23 | 36,35  | 41  | 40,36  | 10 | 13 | 32 x 5   |
| 32                    | –                    | –                               | 25                            | 48,9  | 23 | 38,65  | 41  | 42,66  | 10 | 13 | 34 x 5   |
| –                     | –                    | 1 1/2"                          | 25                            | 54,9  | 28 | 41,45  | 48  | 45,46  | 10 | 14 | 37 x 5   |
| 40                    | –                    | –                               | 25                            | 54,9  | 28 | 44,65  | 48  | 48,66  | 10 | 14 | 40 x 5   |
| –                     | 42,4                 | –                               | 25                            | 54,9  | 28 | 45,05  | 48  | 49,06  | 10 | 14 | 40,5 x 5 |
| –                     | 48,3                 | –                               | 25                            | 66,9  | 34 | 50,95  | 61  | 54,96  | 11 | 14 | 46,5 x 5 |
| –                     | –                    | 2"                              | 25                            | 66,9  | 34 | 54,45  | 61  | 58,46  | 11 | 14 | 50 x 5   |
| 50                    | –                    | –                               | 25                            | 66,9  | 34 | 56,65  | 61  | 60,66  | 11 | 14 | 52 x 5   |
| –                     | 60,3                 | –                               | 16                            | 84,9  | 40 | 62,95  | 79  | 66,96  | 12 | 15 | 58,5 x 5 |
| –                     | –                    | 2 1/2"                          | 16                            | 84,9  | 40 | 66,85  | 79  | 70,86  | 12 | 15 | 62 x 5   |
| 65                    | –                    | –                               | 16                            | 84,9  | 40 | 72,65  | 79  | 76,66  | 12 | 16 | 68 x 5   |
| –                     | 76,1                 | –                               | 16                            | 98,9  | 47 | 78,35  | 93  | 82,36  | 14 | 18 | 73,5 x 5 |
| –                     | –                    | 3"                              | 16                            | 98,9  | 47 | 79,55  | 93  | 83,56  | 14 | 18 | 75 x 5   |
| 80                    | –                    | –                               | 16                            | 98,9  | 47 | 87,65  | 93  | 91,66  | 14 | 18 | 83 x 5   |
| –                     | 88,9                 | –                               | 16                            | 118,9 | 55 | 90,95  | 114 | 94,96  | 15 | 21 | 86,5 x 5 |
| –                     | –                    | 4"                              | 16                            | 118,9 | 55 | 104,05 | 114 | 108,06 | 15 | 21 | 100 x 5  |
| 100                   | –                    | –                               | 16                            | 118,9 | 55 | 106,65 | 114 | 110,66 | 15 | 21 | 102 x 5  |