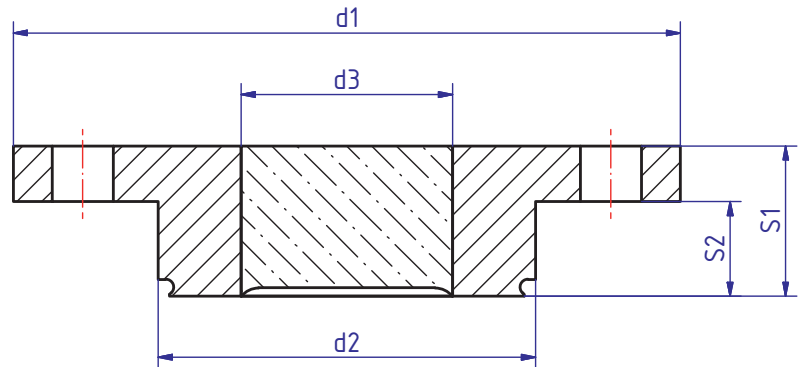


METAGLAS® Sight Glasses for Neumo Bio Control



**Applications**

Neumo BioControl

**Advantages**

- Defined distortion of O-ring by metal contact faces
- Suitable for CIP and SIP treatment
- Security against total failure
- Long operating time
- Housing free of dead zones, no domes or pools
- Crevice free seal

**Ring**

materials	Temperature (TS)
1.4462	-30°C bis +280°C
2.4602	-60°C bis +300°C

**Technical data Manufactured and tested to:**

- Directive for pressure equipment 2014/68/EU, Module H (DIN/EN/ISO 9001)
- AD2000 Standards W0/TRD 100
- Sight glass fused to metal conforming to DIN 7079
- Materials to VdTÜV specifications and the DIN/EN designated standards
- Glass: Borosilicate to DIN 7080 / DIN 7079

**Material certificates**

Certificate of Conformity EN 10204 – 3.1 or 3.2 for extra costs

**Operating conditions**

- Pressure: 16 bar
- Temperature: see table

Nominal size	operating Pressure	d1	d2	d3	S1	S2	O-Ring
25	16	64	30,35	18	20	11	23,5 x 3,0
50	16	90	49,85	30	27	17	42,0 x 3,0
65	16	120	67,85	38	27	17	60,0 x 3,0
80	16	140	87,40	45	37	25	78,0 x 3,0