

Pneumatic Pincer

Oetiker ME

Recommended for Oetiker Clamps and Rings

Benefits

- High process reliability
- Reliable assembly
- Customizable heads
- Easy handling
- Broad applicability



High process reliability: release mechanism designed to prevent misoperation

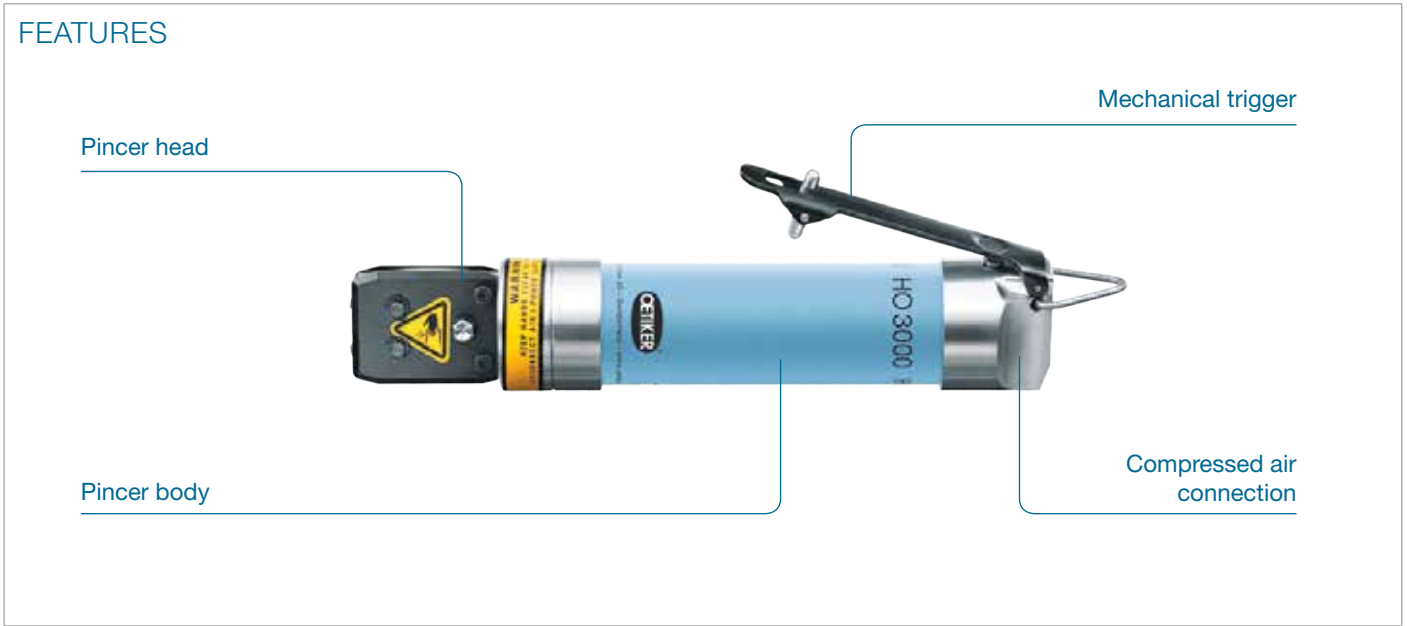
Reliable assembly: complete pincer system ensures efficient & uniform assembly

Easy handling: lightweight and ergonomic design for one-handed operation

Broad applicability: full range of pincer heads for compatibility to all standard clamps

Customizable heads: different pincer head designs according to application

FEATURES



Oetiker ME

TECHNICAL DATA OVERVIEW

Pincer type	Weight
HO 2000 ME	0.90 kg
HO 3000 ME	1.00 kg
HO 4000 ME	1.10 kg
HO 5000 ME	1.65 kg
HO 7000 ME	1.90 kg

Working pressure: 5 to 6 bar.

The working pressure is in direct relation to the closing force.
The higher the inlet pressure, the higher the closing force.

Compressed air connection: Internal thread G ¼

PRODUCT DESCRIPTION

This high-quality, complete pincer system ensures the uniform assembly of Oetiker clamps. The selection of the correct pincer body and head is determined by the type of Oetiker clamp to be assembled, the optimum closing force and the air supply pressure that is available.

To obtain the optimum closing force, please refer to the technical information for the product being assembled and take into account the availability of special pincer heads.

SCOPE OF SUPPLY

Pneumatic Pincer Oetiker ME

- Oetiker ME with pincer head
- Compressed air connection set (incl. filter/water separator)
- Operating instruction

Optional

Pistol Grip Retrofit Kit for Oetiker Pneumatic Pincers
HO 2000 / 3000 / 4000 / 5000 ME



Individual order No.

Pistol Grip Retrofit Kit HO 2000/ HO 3000/ HO 4000	13901300
---	----------

Pistol Grip Retrofit Kit HO 5000	13901448
-------------------------------------	----------

Oetiker ME without pincer heads

	Pincer complete	Pincer complete with pistol grip
HO 2000 ME	13900226	13901301
HO 3000 ME	13900227	13901302
HO 4000 ME	13900228	13901303
HO 5000 ME	13900229	13901451
HO 7000 ME	13900230	-

Oetiker ME with pincer heads

Jaw width (mm)	5.5	7.5	7.5	10.2	10.2	10.5	10.5	14.5
Open gap (mm)	8.6	11.6	13.2	13.2	16.2	13.7	16.6	16.6
For ear width* (mm)	</= 7	8.0	10.0	10.0	13.0	10.0	13.0	13.0
Item No.	13900158	13900154	13900150	13900138	13900142	13900113	13900114	13900543
Replacement-jaw kit	13900166	13900167	13900168	13900163	13900170	13900164	13900165	13900545

HO 2000 ME

Pincer complete	13900173	13900174	13900176	13900182	-	-	-	-
Pincer complete with pistol grip	13900930	13900931	13900932	13900934	-	-	-	-

HO 3000 ME

Pincer complete	-	13900175	13900177	13900183	13900185	-	-	-
Pincer complete with pistol grip	-	13900935	13900936	13900938	13900939	13901302	-	-

HO 4000 ME

Pincer complete	-	-	-	13900184	13900186	-	-	-
Pincer complete with pistol grip	-	-	-	13900940	13900941	-	-	-

HO 5000 ME

Pincer complete	-	-	-	-	-	13900161	13900162	13900548
Pincer complete with pistol grip	-	-	-	-	-	13901449	13901450	-

HO 7000 ME

Pincer complete	-	-	-	-	-	13900171	13900172	13900546
-----------------	---	---	---	---	---	----------	----------	----------

Replacement jaw kit = left and right pincer jaws complete with all necessary parts. The jaw width must be at least 0.5 mm wider than the band used for the clamps to be installed. The opening gap should be wide enough for the largest ear.

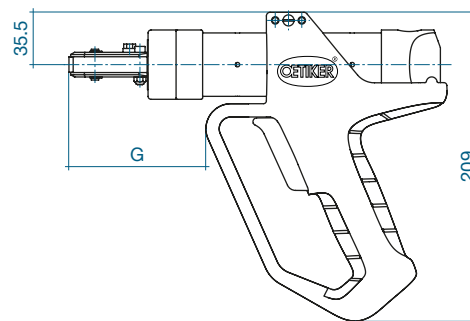
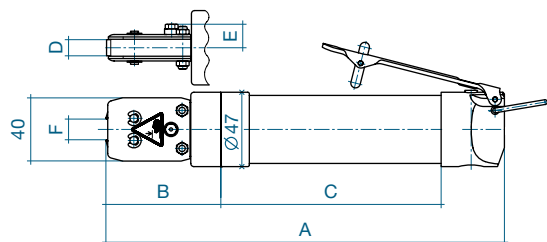
Rights to make technical changes in the interests of further development reserved.

*measured inside

TECHNICAL DATA

HO 2000 ME, HO 3000 ME, HO 4000 ME

Pincer complete with pistol grip



Pincer heads

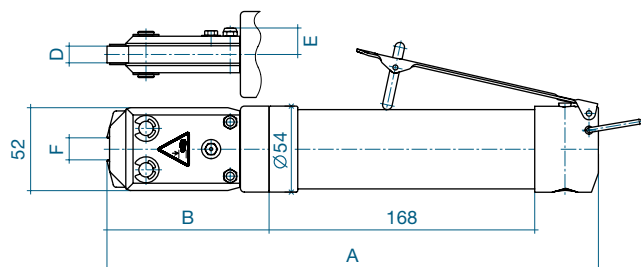
Jaw width D (mm)	5.5	7.5	7.5	10.2	10.2
For ear width* (mm)	< / = 7.0	8.0	10.0	10.0	13.0

Type of pincer

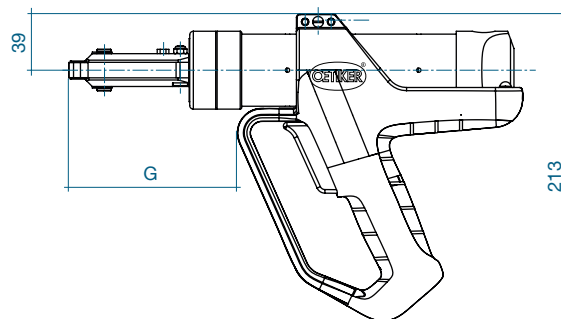
HO 2000 ME	A (mm)	214.0	213.0	213.0	213.0	-
	B (mm)	74.0	73.0	73.0	73.0	-
	C (mm)	101.0	101.0	101.0	101.0	-
	D (mm)	5.5	7.5	7.5	10.2	-
	E (mm)	12.3	13.3	13.3	14.9	-
	F (mm)	8.6	11.6	13.2	13.2	-
Pistol Grip for HO 2000 ME	G (mm)	55.0	54.0	54.0	54.0	-
HO 3000 ME	A (mm)	-	252.0	252.0	252.0	257.0
	B (mm)	-	73.0	73.0	73.0	78.0
	C (mm)	-	140.0	140.0	140.0	140.0
	D (mm)	-	7.5	7.5	10.2	10.2
	E (mm)	-	13.3	13.3	14.9	14.9
	F (mm)	-	11.6	13.2	13.2	16.2
Pistol Grip for HO 3000 ME	G (mm)	-	93.0	93.0	93.0	98.0
HO 4000 ME	A (mm)	-	-	291.0	291.0	296.0
	B (mm)	-	-	73.0	73.0	78.0
	C (mm)	-	-	179.0	179.0	179.0
	D (mm)	-	-	7.5	10.2	10.2
	E (mm)	-	-	13.3	14.9	14.9
	F (mm)	-	-	13.2	13.2	16.2
Pistol Grip for HO 4000 ME	G (mm)	-	-	-	132.0	137.0

TECHNICAL DATA

HO 5000 ME



Pincer complete with pistol grip



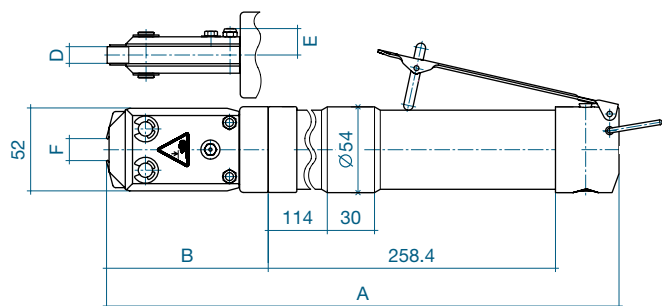
Pincer heads

Jaw width D (mm)	10.5	10.5	14.5
For ear width* (mm)	10.0	13.0	13.0

Type of pincer

HO 5000 ME	A (mm)	309.0	314.0	314.0
	B (mm)	102.0	107.0	107.0
	E (mm)	16.6	16.6	18.6
	F (mm)	13.7	16.6	16.6
Pistol grip	G (mm)	117.0	122.0	122.0

HO 7000 ME



Pincer heads

Jaw width D (mm)	10.5	10.5	14.5
For ear width* (mm)	10.0	13.0	13.0

Type of pincer

HO 7000 ME	A (mm)	400.0	405.0	405.0
	B (mm)	102.0	107.0	107.0
	E (mm)	16.6	16.6	18.6
	F (mm)	13.7	16.6	16.6

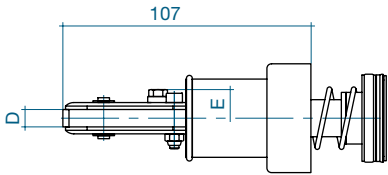
*measured inside

SPECIAL PINCER HEADS FOR OETIKER ME
 – INSTALLATION OF OETIKER EAR CLAMPS

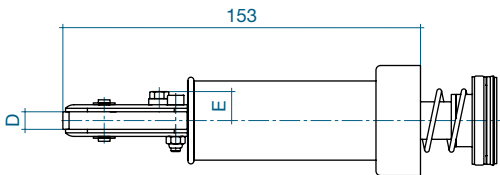
Pincer head with extended holders

Different extensions allow to reach areas where access is restricted. Compatible with pincer types HO 2000 to HO 4000.

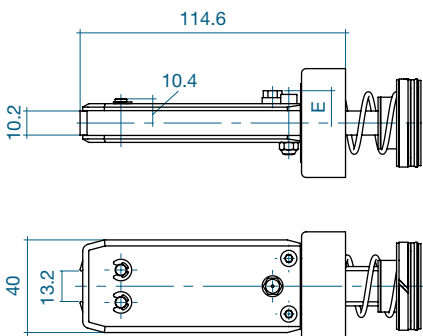
Extension 34.5 mm



Extension 80 mm



Extension 42 mm, narrow



Selection of pincer heads

The jaw width must be at least 0.5 mm wider than the band used for the clamps to be installed. The opening gap should be wide enough for the largest ear.

Pincer heads

Jaw width D (mm)	5.5	7.5	10.2
Open gap (mm)	8.6	13.2	13.2
Height E (mm)	11.0	12.0	14.0
For ear width* (mm)	</=7	10.0	10.0

Type of pincer (34.5 mm)

HO ME Pincer head complete	13900272	13900274	13900276
Replacement-jaw kit	13900166	13900168	13900163

Type of pincer (80 mm)

HO ME Pincer head complete	13900278	13900280	13900282
Replacement-jaw kit	13900166	13900168	13900163

Pincer heads

Jaw width D (mm)	10.2
Open gap (mm)	13.2
Height E (mm)	14.0
For ear width* (mm)	10.0

Type of pincer

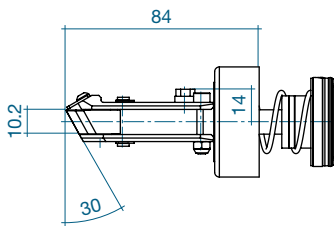
HO ME Pincer head complete	13900801
Replacement-jaw kit	13900163

* measured inside

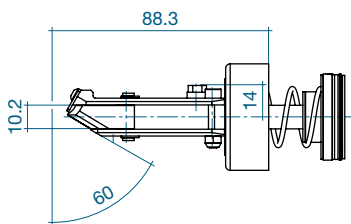
Pincer head with with angled jaws

Specially for installing ear clamps where access is restricted.
 Suitable for ear clamps with 7 mm and 9 mm band widths.
 Compatible with pincer types HO 2000 to HO 4000.

Jaws angled at 30°



Jaws angled at 60°



Pincer heads (30° and 60°)

Jaw width (mm)	10.2
Open gap (mm)	13.2
For ear width* (mm)	10.0

Type of pincer (30°)

HO ME Pincer head complete	13900706
Replacement-jaw kit	13900708

Type of pincer (60°)

HO ME Pincer head complete	13900694
Replacement-jaw kit	13900695

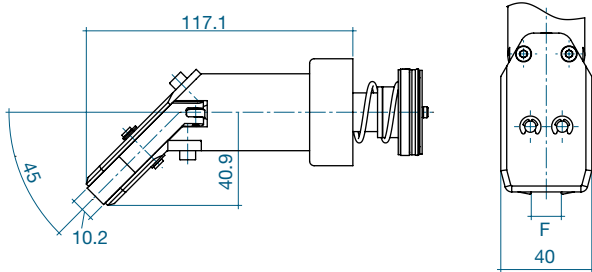
* measured inside

Pneumatic Pincer Oetiker ME

SPECIAL PINCER HEADS FOR OETIKER ME – INSTALLATION OF OETIKER EAR CLAMPS

Jaws angled at 45°

Compatible with pincer types HO 2000 to HO 4000.



Pincer heads 45°

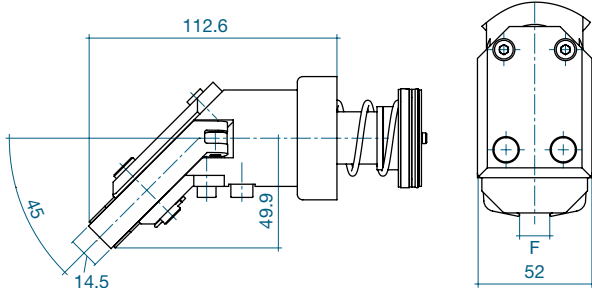
Jaw width (mm)	10.2	10.2
Open gap F (mm)	13.2	16.2
For ear width* (mm)	10.0	13.0

Type of pincer

HO ME Pincer head complete	13901271	13900775
Replacement-jaw kit	13900777	13900777

Jaws angled at 45°

Compatible with pincer types HO 5000 and HO 7000.



Pincer heads 45°

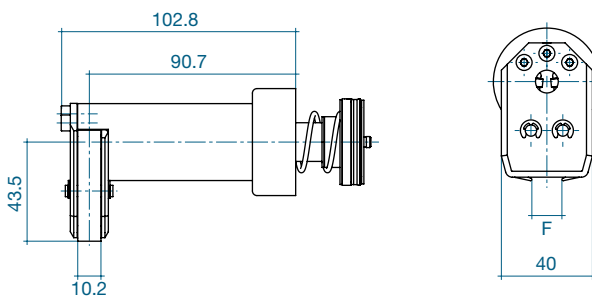
Jaw width (mm)	14.5	14.5
Open gap F (mm)	13.7	16.6
For ear width* (mm)	10.0	13.0

Type of pincer

HO ME Pincer head complete	13900784	13900782
Replacement-jaw kit	13900785	13900785

Jaws angled at 90°

Compatible with pincer types HO 2000 to HO 4000.



Pincer heads 90°

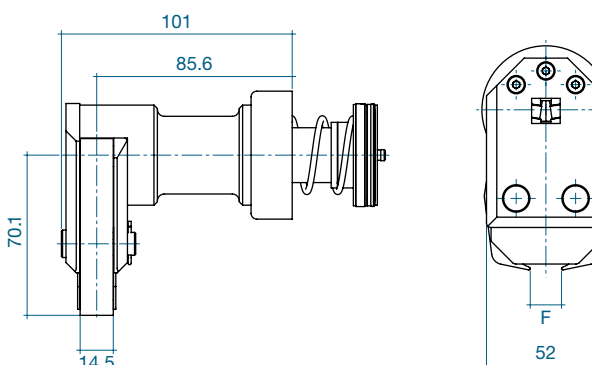
Jaw width (mm)	10.2	10.2
Open gap F (mm)	13.2	16.2
For ear width* (mm)	10.0	13.0

Type of pincer

HO ME Pincer head complete	13900781	13900778
Replacement-jaw kit	13900780	13900780

Jaws angled at 90°

Compatible with pincer types HO 5000 and HO 7000.



Pincer heads 90°

Jaw width (mm)	14.5	14.5
Open gap F (mm)	13.7	16.6
For ear width* (mm)	10.0	13.0

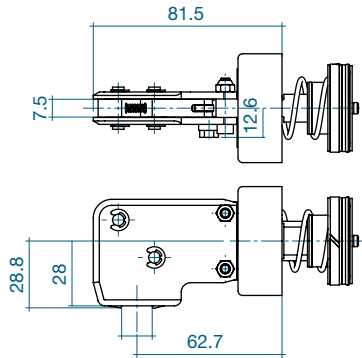
Type of pincer

HO ME Pincer head complete	13900788	13900786
Replacement-jaw kit	13900789	13900789

* measured inside

90° lengthwise

Compatible with pincer types HO 2000 to HO 4000.



Pincer heads 90° lengthwise

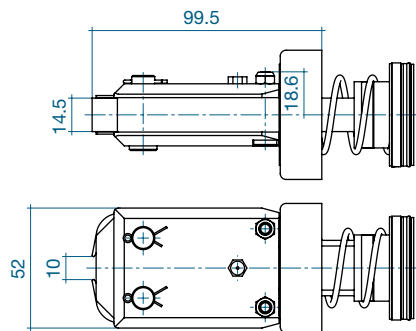
Jaw width (mm)	7.5	7.5
Open gap F (mm)	13.2	16.2
For ear width* (mm)	10.0	13.0

Type of pincer

HO ME Pincer head complete	13901280	13901282
Replacement-jaw kit	13901284	13901284

Pincer Head for 1-Ear Clamp with stud

Pincer head for installation of 1-Ear Clamp with stud, band width 14 mm. Compatible with pincer types HO 5000 and HO 7000.



Pincer heads

Jaw width (mm)	14.5
Open gap (mm)	10.0
For ear width* (mm)	≤ 5.5

Type of pincer

HO ME Pincer head complete	13900773
Replacement-jaw kit	13900771

* measured inside

Pneumatic Pincer Oetiker ME

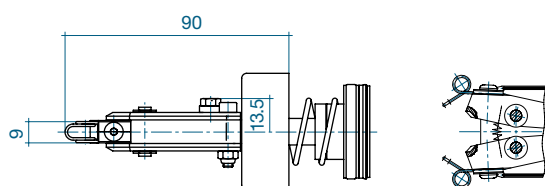
SPECIAL PINCER HEADS FOR OETIKER ME – INSTALLATION OF OETIKER STEPLESS® LOW PROFILE CLAMPS

All Oetiker StepLess® Low Profile Clamps have unique head requirements and are specific to the product group designation and type.

When using Oetiker ME pneumatic pincers, it is essential to use a throttle valve for adjusting the closing speed.

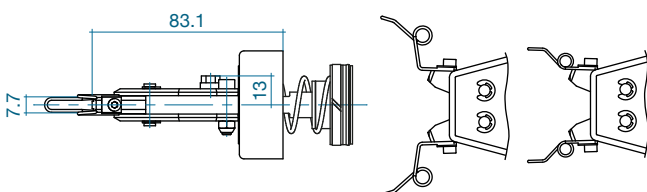
Pincer heads for installing reusable StepLess® Low Profile Clamps – Product Group 168 (RWV)

The hold-down springs fitted to both jaws make closure easier and improve handling. Compatible with pincer types HO 2000 to HO 4000.



Pincer heads for installing StepLess® Low Profile Clamps – Product Group 168

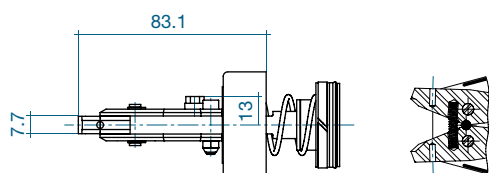
The optional hold-down springs improve handling, especially for production-line applications. Can be used for standard clamps from 40 mm (or approx. 19.5 mm for special types). Can be used for clamps 7 mm, 9 mm and 10 mm wide. Compatible with pincer types HO 3000 and HO 4000.



Special

Pincer heads for installing StepLess® Low Profile Clamps with tolerance compensation – Product Group 168

The optional hold-down springs improve handling, especially for production-line applications. Can be used for standard clamps from 40 mm (or approx. 19.5 mm for special types). Can be used for clamps 7 mm, 9 mm and 10 mm wide. Compatible with pincer types HO 3000 and HO 4000.



Oetiker recommends the use of appropriate calibration equipment and techniques to ensure that the closing force is achieved.

Pincer heads

Jaw width (mm)	9.0
----------------	-----

Type of pincer

HO ME Pincer head complete	13900257
Replacement-jaw kit	13900295
Spring accessory	13900302
Calibration adaptor	13900862
One-way flow control valve (plug DN6)	13900636
One-way flow control valve (adaptor for NPT 1)	13900637

Pincer heads

Jaw width (mm)	Standard	Special
	7.7	7.7

Type of pincer

HO ME Pincer head complete	13900664	13900666
Replacement-jaw kit	13900673	13900673
Spring accessory	13900675	13900676
Calibration adaptor	13900862	13900862
One-way flow control valve (plug DN6)	13900636	13900636
One-way flow control valve (adaptor for NPT 1)	13900637	13900637

Pincer heads

Jaw width (mm)	RT 8
	7.7

Type of pincer

HO ME Pincer head complete	13900670
Replacement-jaw kit	13900673
Calibration adaptor	13900862

Pincer head for installing Clamps ER – Product Group 194

Compatible with pincer types HO 2000 – 4000.

Pincer heads

Jaw width (mm)	7.5
----------------	-----

Type of pincer

HO ME	On request
-------	------------

